



# **KINCAID MARINE ROLCO**

**Phone: (03) 9308 0922 Mobile: 0428 627 463**  
**Email: [orders@kmrolco.com](mailto:orders@kmrolco.com) Website: [www.kmrolco.com](http://www.kmrolco.com)**

**Intentionally blank. Please keep scrolling to page 8**



# **KINCAID MARINE ROLCO**

**Phone: (03) 9308 0922 Mobile: 0428 627 463**  
**Email: [orders@kmrolco.com](mailto:orders@kmrolco.com) Website: [www.kmrolco.com](http://www.kmrolco.com)**

**Intentionally blank. Please keep scrolling to page 8**



# **KINCAID MARINE ROLCO**

**Phone: (03) 9308 0922 Mobile: 0428 627 463**  
**Email: [orders@kmrolco.com](mailto:orders@kmrolco.com) Website: [www.kmrolco.com](http://www.kmrolco.com)**

**Intentionally blank. Please keep scrolling to page 8**



# **KINCAID MARINE ROLCO**

**Phone: (03) 9308 0922 Mobile: 0428 627 463**  
**Email: [orders@kmrolco.com](mailto:orders@kmrolco.com) Website: [www.kmrolco.com](http://www.kmrolco.com)**

**Intentionally blank. Please keep scrolling to page 8**



# **KINCAID MARINE ROLCO**

**Phone: (03) 9308 0922 Mobile: 0428 627 463**  
**Email: [orders@kmrolco.com](mailto:orders@kmrolco.com) Website: [www.kmrolco.com](http://www.kmrolco.com)**

**Intentionally blank. Please keep scrolling to page 8**



# **KINCAID MARINE ROLCO**

**Phone: (03) 9308 0922 Mobile: 0428 627 463**  
**Email: [orders@kmrolco.com](mailto:orders@kmrolco.com) Website: [www.kmrolco.com](http://www.kmrolco.com)**

**Intentionally blank. Please keep scrolling to page 8**



# **KINCAID MARINE ROLCO**

**Phone: (03) 9308 0922 Mobile: 0428 627 463**  
**Email: [orders@kmrolco.com](mailto:orders@kmrolco.com) Website: [www.kmrolco.com](http://www.kmrolco.com)**

**Intentionally blank. Please keep scrolling to page 8**



# KINCAID MARINE ROLCO

Phone: (03) 9308 0922 Mobile: 0428 627 463  
 Email: orders@kmrolco.com Website: www.kmrolco.com

## **MOST COMMONLY USED** **350 CHEVROLET SOFT CLUTCH CONVERSION**

PART NUMBER	DESCRIPTION	QTY	LIST PRICE	PRICE INC GST	DISC
350-1AB	ACCELERATOR MOUNT BRACKET		29.00	31.90	
350-7EL	ENGINE MOUNTS, EXTRA LONG suit SOFT CLUTCH	PAIR	120.00	132.00	
350-12-4Q-H	WEDGE, CARBURETTOR, 4 BARREL, suit SOFT CLUTCH, MANIFOLD=QUAD, CARBY=HOLLEY		95.00	104.50	
350-18	THERMO CONTROL, FLYWHEEL DRIVE / SOFT CLUTCH		175.00	192.50	
350-21SC	SOFT CLUTCH ASSEMBLY inc CLUTCH KIT		1,250.00	1,375.00	
350-23S-ED	MANIFOLDS, EXHAUST, END DRILLED suit SOFT CLUTCH	PAIR	900.00	990.00	
350-30-CDP	TIMING CASE END KIT suit ¾" CRANK DRIVE PUMP		295.00	324.50	
350-37	FLAME ARRESTOR 5½" DIA		49.00	53.90	S
F6 B9	WATER PUMP, CRANK DRIVE, ¾" BALL BEARING		395.00	434.50	S
MF 65-AL	EXHAUST "S" BENDS, 2½" ALUMINIUM	PAIR	250.00	275.00	
PK-2-JON	PLUMBING KIT suit 350 CHEV, FLYWHEEL DRIVE, THERMO CONTROL, WITH EXHAUST ELBOWS		244.00	268.40	
	POLISHING:				
	➤ MANIFOLDS	PAIR	100.00	110.00	N
	➤ EXHAUST BENDS	PAIR	50.00	55.00	N
	➤ HOUSING		100.00	110.00	N
	➤ TIMING CASE END KIT		80.00	88.00	N
	➤ THERMO CONTROL		20.00	22.00	N
	➤ MOUNTS	PAIR	40.00	44.00	N
	➤ WEDGE		20.00	22.00	N
	➤ COMPLETE KIT		400.00	440.00	N





# KINCAID MARINE ROLCO

Phone: (03) 9308 0922 Mobile: 0428 627 463  
 Email: orders@kmrolco.com Website: www.kmrolco.com

## **MOST COMMONLY USED** **350 CHEVROLET DOG CLUTCH CONVERSION** **(NO THERMO CONTROL)**

PART NUMBER	DESCRIPTION	QTY	LIST PRICE	PRICE INC GST	DISC
350-2	WATER INLET PLATES	PAIR	25.00	27.50	
350-7S	ENGINE MOUNTS, SHORT suit DOG CLUTCH	PAIR	90.00	99.00	
350-11-4Q-H	WEDGE, CARBURETTOR, 4 BARREL, suit DOG CLUTCH, MANIFOLD=QUAD, CARBY=HOLLEY		95.00	104.50	
350-19	THERMOSTAT BLANK OFF PLATE		19.00	20.90	
350-20	FLYWHEEL END KIT		295.00	324.50	
350-21	DOG CLUTCH ASSEMBLY		995.00	1094.50	
350-23S-TD	MANIFOLDS, EXHAUST, TOP DRILLED suit DOG CLUTCH	PAIR	900.00	990.00	
350-37	FLAME ARRESTOR 5½" DIA		49.00	53.90	S
FP 16/14	THROTTLE CABLE MOUNT suit QUAD / HOLLY CARBY		30.00	33.00	
WS 37	WATER PUMP, ¾" FYNSPRAY		395.00	434.50	S
MF 65-AL	EXHAUST "S" BENDS, 2½" ALUMINIUM	PAIR	250.00	275.00	
PK-5-FYN	PLUMBING KIT suit 350 CHEV, DOG CLUTCH, NO THERMO, WITH EXHAUST ELBOWS, suit FYNSPRAY PUMP		244.00	268.40	
350-21-SUMP	SUMP AND PICK UP suit 350 CHEV DOG CLUTCH		550.00	605.00	S
	POLISHING:				
	➤ MANIFOLDS	PAIR	100.00	110.00	N
	➤ EXHAUST BENDS	PAIR	50.00	55.00	N
	➤ WEDGE		20.00	22.00	N
	➤ COMPLETE KIT		400.00	440.00	N



# KINCAID MARINE ROLCO

Phone: (03) 9308 0922 Mobile: 0428 627 463  
 Email: orders@kmrolco.com Website: www.kmrolco.com

## MOST COMMONLY USED

### 350 CHEVROLET V-DRIVE / JET DRIVE CONVERSION

PART NUMBER	DESCRIPTION	QTY	LIST PRICE	PRICE INC GST	DISC
350-1AB	ACCELERATOR MOUNT BRACKET		29.00	31.90	
350-7L	ENGINE MOUNTS, LEVEL suit V-DRIVE / JET DRIVE	PAIR	105.00	115.50	
350-16	HOUSING, FLYWHEEL COVER suit V-DRIVE / JET DRIVE		295.00	324.50	
350-18	THERMO CONTROL, FLYWHEEL DRIVE		175.00	192.50	
350-23S-ED	MANIFOLDS, EXHAUST, END DRILLED	PAIR	900.00	990.00	
350-30-CDP	TIMING CASE END KIT suit 3/4" CRANK DRIVE PUMP		295.00	324.50	
350-35	DRIVE ADAPTOR - FLYWHEEL, 1300 SERIES		145.00	159.50	
350-37	FLAME ARRESTOR, 5 1/8" DIA		49.00	53.90	S
F6 B9	WATER PUMP, CRANK DRIVE, 3/4" BALL BEARING		395.00	434.50	S
MF 45B	EXHAUST BEND, 45° WATER COOLED suit 2 1/2" HOSE AL	PAIR	250.00	275.00	
PK-2-JON	PLUMBING KIT suit 350 CHEV, FLYWHEEL DRIVE, THERMO CONTROL, WITH EXHAUST ELBOWS		244.00	268.40	
	POLISHING:				
	➤ MANIFOLDS	PAIR	100.00	110.00	N
	➤ EXHAUST BENDS	PAIR	50.00	55.00	N
	➤ HOUSING		100.00	110.00	N
	➤ TIMING CASE END KIT		80.00	88.00	N
	➤ THERMO CONTROL		20.00	22.00	N
	➤ MOUNTS	PAIR	40.00	44.00	N
	➤ COMPLETE KIT		400.00	440.00	N



# KINCAID MARINE ROLCO

Phone: (03) 9308 0922 Mobile: 0428 627 463  
 Email: orders@kmrolco.com Website: www.kmrolco.com

## **MOST COMMONLY USED** **350 CHEVROLET FORWARD/NEUTRAL/REVERSE** **CONVERSION**

PART NUMBER	DESCRIPTION	QTY	LIST PRICE	PRICE INC GST	DISC
350-1AB	ACCELERATOR MOUNT BRACKET		29.00	31.90	
350-7EL	ENGINE MOUNTS, EXTRA LONG	PAIR	120.00	132.00	
350-12-4Q-H	WEDGE, CARBURETTOR, 4 BARREL, suit SOFT CLUTCH, MANIFOLD=QUAD, CARBY=HOLLEY		95.00	104.50	
350-13	BELL HOUSING, GEARBOX - BORG WARNER / Z.F.		395.00	434.50	
350-18	THERMO CONTROL, FLYWHEEL DRIVE		175.00	192.50	
350-23S-ED	MANIFOLDS, EXHAUST, END DRILLED	PAIR	900.00	990.00	
350-30-CDP	TIMING CASE END KIT suit ¾" CRANK DRIVE PUMP		295.00	324.50	
350-37	FLAME ARRESTOR, 5/8" DIA		49.00	53.90	S
F6 B9	WATER PUMP, CRANK DRIVE, ¾" BALL BEARING		395.00	434.50	S
MF 65-AL	EXHAUST "S" BENDS, 2½" ALUMINIUM	PAIR	250.00	275.00	
PK-2-JON	PLUMBING KIT suit 350 CHEV, FLYWHEEL DRIVE, THERMO CONTROL, WITH EXHAUST ELBOWS		244.00	268.40	
BW 1 or ZF45C	TRANSMISSION, FORWARD / NEUTRAL / REVERSE BORG WARNER OR Z.F. HURTH		POA	POA	S
BW 2	DRIVE PLATE (FLEX PLATE), suit F / N / R TRANSMISSION		190.00	209.00	S
BW 3	OIL COOLER, suit F / N / R TRANSMISSION		275.00	302.50	S
BW 4	HOSE KIT, OIL COOLER suit BORG WARNER		85.00	93.50	S
<b>OR</b>					
ZF4	HOSE KIT, OIL COOLER suit ZF		85.00	93.50	S
BW 5	BRACKET, COOLER / SELECTOR CABLE suit B/W F / N / R TRANSMISSION		65.00	71.50	
<b>OR</b>					
ZF 5	BRACKET, COOLER Suit Z.F. F / N / R TRANSMISSION		65.00	71.50	
BW 6	STUD KIT, GEARBOX TO HOUSING suit BORG WARNER		45.00	49.50	
<b>OR</b>					
ZF 6	STUD KIT, GEARBOX TO HOUSING suit Z.F.		45.00	49.50	
BW 7	CONTROL LEVER		100.00	110.00	S
BW 8	CLAMP, RUBBER LINED SUIT OIL COOLER		10.00	11.00	S
SC 10BWS-1	COUPLING, PROPELLER SHAFT, 1", suit BORG WARNER / ZF TRANSMISSION, SPLIT TYPE		135.00	148.50	
<b>OR</b>					
SC 10BWS-1½	COUPLING, PROPELLER SHAFT, 1½", suit BORG WARNER / ZF TRANSMISSION, SPLIT TYPE		135.00	148.50	
	POLISHING:				
	➤ MANIFOLDS	P	100.00	110.00	N
	➤ EXHAUST BENDS	P	50.00	55.00	N
	➤ HOUSING		100.00	110.00	N
	➤ TIMING CASE END KIT		80.00	88.00	N
	➤ THERMO CONTROL		20.00	22.00	N
	➤ MOUNTS	P	40.00	44.00	N
	➤ WEDGE		20.00	22.00	N
	➤ COMPLETE KIT		400.00	440.00	N



# KINCAID MARINE ROLCO

Phone: (03) 9308 0922 Mobile: 0428 627 463  
 Email: orders@kmrolco.com Website: www.kmrolco.com

## COMPLETE LISTING

### 350 CHEVROLET SMALL BLOCK V8 CONVERSION

PART NUMBER	DESCRIPTION	QTY	LIST PRICE	PRICE INC GST	DISC
350-1AB	ACCELERATOR MOUNT BRACKET		29.00	31.90	
350-2	WATER INLET PLATES	PAIR	25.00	27.50	
350-2-LT1	WATER INLET PLATES suit LT1	PAIR	100.00	110.00	
350-7S	ENGINE MOUNTS - SHORT suit DOG CLUTCH	PAIR	90.00	99.00	
350-7L	ENGINE MOUNTS - LEVEL suit V-DRIVE / JET DRIVE	PAIR	105.00	115.50	
350-7EL	ENGINE MOUNTS - EXTRA LONG suit SOFT CLUTCH	PAIR	120.00	132.00	
350-11-2-HH USE 351-11-2	WEDGE, CARBURETTOR, 2 BARREL suit HOLLEY 350		95.00	104.50	
350-11-4Q-H	WEDGE, CARBURETTOR, 4 BARREL, suit DOG CLUTCH, MANIFOLD=QUAD, CARBY=HOLLEY		95.00	104.50	
350-11-4Q-Q	WEDGE, CARBURETTOR, 4 BARREL, suit DOG CLUTCH, MANIFOLD=QUAD, CARBY=QUAD		95.00	104.50	
350-11-4H-H	WEDGE, CARBURETTOR, 4 BARREL, suit MANIFOLD=HOLLEY, CARBY=HOLLEY		95.00	104.50	
350-11-4H-Q	WEDGE, CARBURETTOR, 4 BARREL, UPSIDE DOWN suit DOG CLUTCH, MANIFOLD=HOLLEY, CARBY=QUAD,		95.00	104.50	
350-12-4Q-H	WEDGE, CARBURETTOR, 4 BARREL, suit SOFT CLUTCH, MANIFOLD=QUAD, CARBY=HOLLEY		95.00	104.50	
350-12-4Q-Q	WEDGE, CARBURETTOR, 4 BARREL, suit SOFT CLUTCH, MANIFOLD=QUAD, CARBY=QUAD		95.00	104.50	
350-12-4H-Q	WEDGE, CARBURETTOR, 4 BARREL, UPSIDE DOWN suit SOFT CLUTCH, MANIFOLD=HOLLEY, CARBY=QUAD		95.00	104.50	
350-13	BELL HOUSING, GEARBOX - BORG WARNER / Z.F.		395.00	434.50	
350-16	HOUSING, FLYWHEEL COVER suit V-DRIVE / JET DRIVE		295.00	324.50	
350-17	THERMOSTAT OUTLET HOUSING		39.00	42.90	
350-18	THERMO CONTROL - FLYWHEEL DRIVE / SOFT CLUTCH		175.00	192.50	
350-18T	THERMO CONTROL - TIMING CASE DRIVE / DOG CLUTCH		195.00	214.50	
350-18-OS	THERMOSTAT OFFSET MOUNT suit 350-18 (LOCATES THERMO CONTROL FORWARD)		65.00	71.50	
350-19	THERMOSTAT BLANK OFF PLATE		19.00	20.90	
350-20	FLYWHEEL END KIT		295.00	324.50	
350-21	DOG CLUTCH ASSEMBLY		995.00	1094.50	
350-21SC	SOFT CLUTCH ASSEMBLY inc CLUTCH KIT		1,250.00	1,375.00	
350-21SCF	SOFT CLUTCH ASSEMBLY inc CLUTCH KIT (FULLY ENCLOSED HOUSING) Ideal for salt water use		1,500.00	1,650.00	
350-21-SUMP	SUMP AND PICK UP suit 350 CHEV DOG CLUTCH		550.00	605.00	S
350-23S	MANIFOLDS, EXHAUST, WATER COOLED	PAIR	900.00	990.00	
350-30-CDP	TIMING CASE END KIT suit CRANK DRIVEN PUMP		295.00	324.50	
350-30-JON	TIMING CASE END KIT suit 3/4" HIGH MOUNT PUMP		295.00	324.50	
350-30-JAB	TIMING CASE END KIT suit 6490-2901 JABSCO PUMP		295.00	324.50	
350-30-GB	TIMING CASE END KIT suit 3/4" LOW MOUNT PUMP		295.00	324.50	
350-30-LT1	TIMING CASE END KIT suit LT1		349.00	383.90	
350-30-J	ALTERNATOR MOUNTING KIT suit JET DRIVE		195.00	214.50	
350-35	DRIVE ADAPTOR - FLYWHEEL 1310 SERIES		145.00	159.50	
350-35A	DRIVE ADAPTOR - FLYWHEEL 1410 SERIES		145.00	159.50	
350-35-LM	DRIVE ADAPTOR - FLYWHEEL 1310 SERIES, LATE MODEL		145.00	159.50	
350-35A-LM	DRIVE ADAPTOR - FLYWHEEL 1410 SERIES, LATE MODEL		145.00	159.50	
350-37	FLAME ARRESTOR, 5 1/8" DIA		49.00	53.90	S
307-37	FLAME ARRESTOR, 2 5/8" DIA		95.00	104.50	S
350-EGR	E.G.R. BLANK OFF PLATE (SPECIFY SHAPE)	EACH	15.00	16.50	



# KINCAID MARINE ROLCO

Phone: (03) 9308 0922 Mobile: 0428 627 463  
 Email: orders@kmrolco.com Website: www.kmrolco.com

## 350 CHEVROLET SMALL BLOCK V8 SPARE PARTS

PART NUMBER	DESCRIPTION	QTY	LIST PRICE	PRICE INC GST	DISC
350-2AB/30	WATER INLET PLATE with ALTERNATOR MOUNT (EARLY KIT)		50.00	55.00	
350-2-B	GASKETS, WATER INLET PLATES	PAIR	7.00	7.70	
350-11-B	GASKET, CARBURETTOR, 4 BARREL, QUADRAJET / SPREAD BORE		9.00	9.90	
350-11-H	GASKET, CARBURETTOR, 4 BARREL, HOLLEY / SQUARE BORE		9.00	9.90	
350-17-B	GASKET - THERMOSTAT		7.00	7.70	
350-18T-B	THERMO CONTROL, T/C DRIVE, BASE ONLY		60.00	66.00	
350-20-A	MOUNTS, FLYWHEEL END, suit TIMING CASE DRIVE/DOG CLUTCH		195.00	214.50	
350-20-B	WATER PUMP MOUNT, suit TIMING CASE DRIVE/DOG CLUTCH		55.00	60.50	
350-20-C	ALTERNATOR TENSION ARM, suit TIMING CASE DRIVE/DOG CLUTCH		35.00	38.50	
350-20-D	PULLEY, FLYWHEEL, suit TIMING CASE DRIVE / DOG CLUTCH		125.00	137.50	
350-20-G	VEE BELT A-34 suit WATER PUMP		19.00	20.90	
350-20-H	VEE BELT A-35 suit ALTERNATOR		19.00	20.90	
350-21-1A	SEAL RETAINER, HALF MOON suit DOG CLUTCH		35.00	38.50	
350-21-A	DOG CLUTCH HOUSING ONLY		595.00	654.50	
350-21-B	GASKET, TIMING CASE-DOG CLUTCH TO BLOCK		12.00	13.20	
350-21F	FLYWHEEL suit 10" CLUTCH, EARLY MODEL		450.00	495.00	S
350-21F-LM	FLYWHEEL suit 10" CLUTCH, suit LATE MODEL ONE PIECE REAR MAIN		450.00	495.00	S
350-21SC-A	SOFT CLUTCH HOUSING ONLY		500.00	550.00	
350-23-B	GASKETS, EXHAUST MANIFOLD	PAIR	25.00	27.50	
350-23S-SK	STUD, NUT & WASHER KIT		65.00	71.50	
350-24	NOSE DOG ASSEMBLY SHRINK FIT 1" BUSH		250.00	275.00	
350-24P/T	NOSE DOG ASSEMBLY PIN TYPE 3/4" BUSH		250.00	275.00	
350-24US	NOSE DOG ASSEMBLY UNDERSIZE		250.00	275.00	
350-24-B	NOSE DOG HUB PIECE ONLY (SPECIFY TYPE)		125.00	137.50	
350-30-A	ALTERNATOR MOUNT		35.00	38.50	
350-30-B-JON	WATER PUMP MOUNT suit 3/4" HIGH MOUNT PUMP		55.00	60.50	
350-30-B-JAB	WATER PUMP MOUNT suit 6490-2901 JABSCO PUMP		55.00	60.50	
350-30-B-GB	WATER PUMP MOUNT suit 3/4" LOW MOUNT PUMP		55.00	60.50	
350-30-C	ALTERNATOR TENSION ARM		45.00	49.50	
350-30-D	PULLEY, HARMONIC BALANCER		125.00	137.50	
350-30-E	WATER PUMP BASE PLATE		75.00	82.50	
350-30-G-JON	VEE BELT A-21 suit HIGH MOUNT WATER PUMP		19.00	20.90	
350-30-G-JAB	VEE BELT A-22 suit JABSCO 6490 WATER PUMP		19.00	20.90	
350-30-G-GB	VEE BELT A-24 WATER PUMP suit LOW MOUNT PUMP		19.00	20.90	
350-30-H	VEE BELT A-28 suit ALTERNATOR		19.00	20.90	
350-30-D-J	PULLEY, HARMONIC BALANCER (JET) SINGLE BELT		95.00	104.50	



# KINCAID MARINE ROLCO

Phone: (03) 9308 0922 Mobile: 0428 627 463  
 Email: orders@kmrolco.com Website: www.kmrolco.com

## 454 CHEVROLET BIG BLOCK V8 CONVERSION

PART NUMBER	DESCRIPTION	QTY	LIST PRICE	PRICE INC GST	DISC
454-2	WATER INLET PLATES	PAIR	45.00	49.50	
454-7L <b>USE 350-7L</b>	ENGINE MOUNTS - LEVEL suit V-DRIVE / JET DRIVE	PAIR	105.00	115.50	
454-7EL <b>USE 350-7EL</b>	ENGINE MOUNTS - EXTRA LONG suit SOFT CLUTCH	PAIR	120.00	132.00	
454-11-4H-H <b>USE 350-11-4H-H</b>	WEDGE, CARBURETTOR, 4 BARREL, suit MANIFOLD=HOLLEY, CARBY=HOLLEY		95.00	104.50	
454-12-4Q-H <b>USE 350-12-4Q-H</b>	WEDGE, CARBURETTOR, 4 BARREL, suit SOFT CLUTCH, MANIFOLD=QUAD, CARBY=HOLLEY		95.00	104.50	
454-12-4Q-Q <b>USE 350-12-4Q-Q</b>	WEDGE, CARBURETTOR, 4 BARREL, suit SOFT CLUTCH, MANIFOLD=QUAD, CARBY=QUAD		95.00	104.50	
454-12-4H-Q <b>USE 350-12-4H-Q</b>	WEDGE, CARBURETTOR, 4 BARREL, UPSIDE DOWN suit SOFT CLUTCH, MANIFOLD=HOLLEY, CARBY=QUAD		95.00	104.50	
454-13 <b>USE 350-13</b>	BELL HOUSING, GEARBOX - BORG WARNER		395.00	434.50	
454-16 <b>USE 350-16</b>	HOUSING, FLYWHEEL COVER suit V-DRIVE / JET DRIVE		295.00	324.50	
454-17 <b>USE 350-17</b>	THERMOSTAT OUTLET HOUSING		39.00	42.90	
454-18 <b>USE 350-18</b>	THERMO CONTROL - FLYWHEEL DRIVE / SOFT CLUTCH		175.00	192.50	
454-21SC <b>USE 350-21SC</b>	SOFT CLUTCH ASSEMBLY inc CLUTCH KIT		1,250.00	1,375.00	
454-23S	MANIFOLDS, EXHAUST, 3" OUTLET	PAIR	1,250.00	1,375.00	
454-30-JON	TIMING CASE END KIT suit 3/4" JOHNSON PUMP		300.00	330.00	
454-30-GB	TIMING CASE END KIT suit 3/4" PLAIN BEARING PUMPS		350.00	385.00	
454-30-J	ALTERNATOR MOUNTING KIT suit JET DRIVE		250.00	275.00	
454-35 <b>USE 350-35</b>	DRIVE ADAPTOR - FLYWHEEL 1310 SERIES		145.00	159.50	
454-35A <b>USE 350-35A</b>	DRIVE ADAPTOR - FLYWHEEL 1410 SERIES		145.00	159.50	
454-37 <b>USE 350-37</b>	FLAME ARRESTOR 5 1/8" DIA		49.00	53.90	S
MF 10R	RISER - EXHAUST, 10" WATER COOLED suit 454 AL	PAIR	995.00	1,094.50	



# KINCAID MARINE ROLCO

Phone: (03) 9308 0922 Mobile: 0428 627 463  
Email: orders@kmrolco.com Website: www.kmrolco.com

## 454 CHEVROLET BIG BLOCK V8 SPARE PARTS

PART NUMBER	DESCRIPTION	QTY	LIST PRICE	PRICE INC GST
454-2-B	GASKETS, WATER INLET PLATES	PAIR	9.00	9.90
454-23-B	GASKETS, EXHAUST MANIFOLDS	PAIR	32.00	35.20
454-23S-SK	STUD, NUT & WASHER KIT		65.00	71.50
454-30-A	ALTERNATOR MOUNT		55.00	60.50
454-30-B-GB	WATER PUMP MOUNT suit 3/4" LOW MOUNT PUMP		60.00	66.00
454-30-C	ALTERNATOR TENSION ARM		55.00	60.50
454-30-D	PULLEY, HARMONIC BALANCER		125.00	137.50
454-30-G-GB	VEE BELT A-25 suit WATER PUMP		19.00	20.90
454-30-H-GB	VEE BELT A-30 suit ALTERNATOR		19.00	20.90
454-30J-D	PULLEY, HARMONIC BALANCER suit JET DRIVE / SINGLE BELT		95.00	104.50



# KINCAID MARINE ROLCO

Phone: (03) 9308 0922 Mobile: 0428 627 463  
 Email: orders@kmrolco.com Website: www.kmrolco.com

## **MOST COMMONLY USED** **GEN III / LS SERIES CHEVROLET** **SOFT CLUTCH CONVERSION**

PART NUMBER	DESCRIPTION	QTY	LIST PRICE	PRICE INC GST	DISC
LS1-7EL	ENGINE MOUNTS, EXTRA LONG suit SOFT CLUTCH	PAIR	170.00	187.00	
LS1-18	THERMO CONTROL, CROSSOVER ASSEMBLY		450.00	495.00	
LS1-21SC <b>USE 350-21SC</b>	SOFT CLUTCH ASSEMBLY inc CLUTCH KIT, (CHANGE BOLT KIT)		1,250.00	1,375.00	
LS1-21F	FLYWHEEL, STEEL, BILLET suit GEN III		450.00	495.00	S
LS1-23S	MANIFOLDS, EXHAUST	PAIR	900.00	990.00	
LS1-30	TIMING CASE END KIT suit CRANK DRIVEN WATER PUMP		395.00	434.50	
LS1-37	FLAME ARRESTOR		75.00	82.50	S
LS1-OP	OIL PAN / SUMP AND PICK UP suit CENTRE MOUNT		995.00	1094.50	S
LS1-PK	PLUMBING KIT		244.00	268.40	S
LS1-4	COMPUTER MOUNT ASSY		295.00	324.50	S
LS1-ECU	COMPUTER, MARINE CALIBRATION suit GEN III		1,500.00	1,750.00	S
LS1-LOOM	WIRING LOOM, COMPLETE TO DASH suit GEN III		2,500.00	2,750.00	S
F6 B9	WATER PUMP, CRANK DRIVE suit GEN III		395.00	434.50	S
MF 45B	EXHAUST BEND, 45° WATER COOLED suit 2½" HOSE AL	PAIR	250.00	275.00	
	POLISHING:				
	➤ MANIFOLDS	PAIR	100.00	110.00	N
	➤ EXHAUST BENDS	PAIR	50.00	55.00	N
	➤ HOUSING		100.00	110.00	N
	➤ THERMO CONTROL ASSEMBLY		50.00	55.00	N
	➤ MOUNTS	PAIR	40.00	44.00	N
	➤ COMPLETE KIT		400.00	440.00	N





# KINCAID MARINE ROLCO

Phone: (03) 9308 0922 Mobile: 0428 627 463  
 Email: orders@kmrolco.com Website: www.kmrolco.com

## **MOST COMMONLY USED** **GEN III / LS SERIES CHEVROLET** **FORWARD/NEUTRAL/REVERSE CONVERSION**

PART NUMBER	DESCRIPTION	QTY	LIST PRICE	PRICE INC GST	DISC
LS1-7EL	ENGINE MOUNTS, EXTRA LONG suit SOFT CLUTCH	PAIR	170.00	187.00	
LS1-13 USE 350-13	BELL HOUSING, GEARBOX suit BORG WARNER / Z.F. (CHANGE BOLT KIT)		395.00	434.50	
LS1-18	THERMO CONTROL, CROSSOVER ASSEMBLY		450.00	495.00	
LS1-21F	FLYWHEEL, STEEL, BILLET suit GEN III		450.00	495.00	S
LS1-23S	MANIFOLDS, EXHAUST	PAIR	900.00	990.00	
LS1-30	TIMING CASE END KIT suit CRANK DRIVEN WATER PUMP		395.00	434.50	
LS1-37	FLAME ARRESTOR		75.00	82.50	S
LS1-OP	OIL PAN / SUMP AND PICK UP suit CENTRE MOUNT		995.00	1094.50	S
LS1-PK	PLUMBING KIT		244.00	268.40	S
LS1-4	COMPUTER MOUNT ASSY		295.00	324.50	S
LS1-ECU	COMPUTER, MARINE CALIBRATION suit GEN III		1,500.00	1,650.00	S
LS1-LOOM	WIRING LOOM COMPLETE TO DASH suit GEN III		2,500.00	2,750.00	S
LS1-WP	WATER PUMP, CRANK DRIVE suit GEN III		395.00	434.50	S
MF 45B	EXHAUST BEND, 45° WATER COOLED suit 2½" HOSE AL	PAIR	250.00	275.00	
BW 1 or ZF45C	TRANSMISSION, FORWARD / NEUTRAL / REVERSE BORG WARNER OR Z.F. HURTH		P.O.A.	P.O.A.	S
BW 2	DRIVE PLATE (FLEX PLATE), suit F / N / R TRANSMISSION		190.00	209.00	S
BW 3	OIL COOLER, suit F / N / R TRANSMISSION		275.00	302.50	S
BW 4	HOSE KIT, OIL COOLER suit BORG WARNER		85.00	93.50	S
<b>OR</b>					
ZF 4	HOSE KIT, OIL COOLER suit ZF		85.00	93.50	S
BW 5	BRACKET, OIL COOLER/SELECTOR CABLE suit BORG WARNER F / N / R TRANSMISSION		65.00	71.50	
<b>OR</b>					
ZF 5	BRACKET, OIL COOLER suit ZF F / N / R TRANSMISSION		65.00	71.50	
BW 6	STUD KIT, GEARBOX TO HOUSING suit BORG WARNER		45.00	49.50	
<b>OR</b>					
ZF 6	STUD KIT, GEARBOX TO HOUSING suit Z.F.		45.00	49.50	
BW 7	CONTROL LEVER		100.00	110.00	S
BW 8	CLAMP, RUBBER LINED SUIT OIL COOLER		10.00	11.00	S
SC 10BWS-1	COUPLING, PROPELLER SHAFT, 1", suit BORG WARNER / ZF TRANSMISSION, SPLIT TYPE		135.00	148.50	
<b>OR</b>					
SC 10BWS-1½	COUPLING, PROPELLER SHAFT, 1½", suit BORG WARNER / ZF TRANSMISSION, SPLIT TYPE		135.00	148.50	
	POLISHING:				
	➤ MANIFOLDS	PAIR	100.00	110.00	N
	➤ EXHAUST BENDS	PAIR	50.00	55.00	N
	➤ HOUSING		100.00	110.00	N
	➤ THERMO CONTROL ASSEMBLY		50.00	55.00	N
	➤ MOUNTS	PAIR	40.00	44.00	N
	➤ COMPLETE KIT		400.00	440.00	N



# KINCAID MARINE ROLCO

Phone: (03) 9308 0922 Mobile: 0428 627 463  
 Email: orders@kmrolco.com Website: www.kmrolco.com

## **MOST COMMONLY USED** **GEN III / LS SERIES CHEVROLET** **V-DRIVE / JET DRIVE CONVERSION**

PART NUMBER	DESCRIPTION	QTY	LIST PRICE	PRICE INC GST	DISC
LS1-7L	ENGINE MOUNTS, LEVEL suit V-DRIVE / JET DRIVE	PAIR	160.00	176.00	
LS1-16 <b>USE 350-16</b>	HOUSING, FLYWHEEL COVER suit V-DRIVE / JET DRIVE (CHANGE BOLT KIT)		295.00	324.50	
LS1-18	THERMO CONTROL, CROSSOVER ASSEMBLY		450.00	495.00	
LS1-21F	FLYWHEEL, STEEL, BILLET suit GEN III		450.00	495.00	S
LS1-23S	MANIFOLDS, EXHAUST	PAIR	900.00	990.00	
LS1-30	TIMING CASE END KIT suit CRANK DRIVEN WATER PUMP		395.00	434.50	
LS1-35	DRIVE ADAPTOR - FLYWHEEL 1300 SERIES suit GEN III		175.00	192.50	
<b>OR</b>					
LS1-35A	DRIVE ADAPTOR - FLYWHEEL 1400 SERIES suit GEN III		175.00	192.50	
LS1-37	FLAME ARRESTOR		75.00	82.50	S
LS1-OP	OIL PAN / SUMP AND PICK UP suit CENTRE MOUNT		995.00	1094.50	S
LS1-PK	PLUMBING KIT		244.00	268.40	S
LS1-4	COMPUTER MOUNT ASSY		295.00	324.50	
LS1-ECU	COMPUTER, MARINE CALIBRATION suit GEN III		1,500.00	1,650.00	S
LS1-LOOM	WIRING LOOM, COMPLETE TO DASH suit GEN III		2,500.00	2,750.00	S
F6 B9	WATER PUMP, CRANK DRIVE suit GEN III		395.00	434.50	S
MF 45B	EXHAUST BEND, 45° WATER COOLED suit 2½" HOSE AL	PAIR	250.00	275.00	
	POLISHING:				
	➤ MANIFOLDS	PAIR	100.00	110.00	N
	➤ EXHAUST BENDS	PAIR	50.00	55.00	N
	➤ HOUSING		100.00	110.00	N
	➤ THERMO CONTROL ASSEMBLY		50.00	55.00	N
	➤ MOUNTS	PAIR	40.00	44.00	N
	➤ COMPLETE KIT		400.00	440.00	N



# KINCAID MARINE ROLCO

Phone: (03) 9308 0922 Mobile: 0428 627 463  
 Email: orders@kmrolco.com Website: www.kmrolco.com

## **COMPLETE LISTING**

### **GEN III / LS SERIES CHEVROLET CONVERSION**

<b>PART NUMBER</b>	<b>DESCRIPTION</b>	<b>QTY</b>	<b>LIST PRICE</b>	<b>PRICE INC GST</b>	<b>DISC</b>
LS1-2	WATER INLET PLATES	PAIR	100.00	110.00	
LS1-7A	ENGINE MOUNT ADAPTERS, LS1 to CHEV	PAIR	90.00	99.00	
LS1-7L	ENGINE MOUNTS, LEVEL suit V-DRIVE / JET DRIVE	PAIR	150.00	165.00	
LS1-7EL	ENGINE MOUNTS, EXTRA LONG suit SOFT CLUTCH	PAIR	170.00	177.00	
LS1-13 <b>USE 350-13</b>	BELL HOUSING, GEARBOX suit BORG WARNER / Z.F. (CHANGE BOLT KIT)		395.00	434.50	
LS1-16 <b>USE 350-16</b>	HOUSING, FLYWHEEL COVER suit V-DRIVE / JET DRIVE (CHANGE BOLT KIT)		295.00	324.50	
LS1-18	THERMO CONTROL, CROSSOVER ASSEMBLY		450.00	495.00	
LS1-21SC <b>USE 350-21SC</b>	SOFT CLUTCH ASSEMBLY inc CLUTCH KIT, (CHANGE BOLT KIT)		1,250.00	1,375.00	
LS1-21F	FLYWHEEL, STEEL, BILLET suit GEN III		450.00	495.00	S
LS1-23S	MANIFOLDS, EXHAUST	PAIR	900.00	990.00	
MF 45B	EXHAUST BEND, 45° WATER COOLED suit 2½" HOSE AL	PAIR	250.00	275.00	
LS1-30	TIMING CASE END KIT suit CRANK DRIVEN WATER PUMP		395.00	434.50	
LS1-35	DRIVE ADAPTOR - FLYWHEEL 1310 SERIES, suit GEN III		175.00	192.50	
LS1-35A	DRIVE ADAPTOR - FLYWHEEL 1410 SERIES, suit GEN III		175.00	192.50	
LSA-35A	DRIVE ADAPTOR - FLYWHEEL 1410 SERIES, suit LSA 8 BOLT		195.00	214.50	
LS1-37	FLAME ARRESTOR		75.00	82.50	S
LS1-OP	OIL PAN / SUMP AND PICK UP suit CENTRE MOUNT		995.00	1094.50	S
LS1-OF1K	REMOTE OIL FILTER KIT suit GEN III		295.00	324.50	S
LS1-PK	PLUMBING KIT, STANDARD HOSE		244.00	268.40	
LS1-4	COMPUTER MOUNT ASSY		295.00	324.50	S
LS1-ECU	COMPUTER, MARINE CALIBRATION suit GEN III		1,500.00	1,650.00	S
LS1-ECU-REFLASH	COMPUTER REFLASH ONLY MARINE CALIBRATION		1,000.00	1,100.00	S
LS1-LOOM	WIRING LOOM, COMPLETE TO DASH suit GEN III		2,500.00	2,750.00	S
F6 B9	WATER PUMP, CRANK DRIVE suit GEN III		395.00	434.50	S
LS1-M33C 6	THROTTLE CABLE, GEN III CHEV, suit HAND THROTTLE, 6 METRES		175.00	192.50	S
LS1-M33C 8.5	THROTTLE CABLE, GEN III CHEV, suit FOOT THROTTLE, 8.5 METRES		175.00	192.50	S



# KINCAID MARINE ROLCO

Phone: (03) 9308 0922 Mobile: 0428 627 463  
 Email: orders@kmrolco.com Website: www.kmrolco.com

## 351-302 FORD CLEVELAND V8 CONVERSION

PART NUMBER	DESCRIPTION	QTY	LIST PRICE	PRICE INC GST	DISC
351-2	WATER INLET PLATE		95.00	104.50	
351-7S	ENGINE MOUNTS - SHORT suit DOG CLUTCH	PAIR	90.00	99.00	
351-7L	ENGINE MOUNTS - LEVEL suit V-DRIVE / JET DRIVE	PAIR	105.00	115.50	
351-7EL	ENGINE MOUNTS - EXTRA LONG suit SOFT CLUTCH	PAIR	150.00	165.00	
351-11-2	WEDGE, CARBURETTOR, 2 BARREL suit DOG CLUTCH		85.00	93.50	
351-12-2 <b>USE 289-11-2</b>	WEDGE, CARBURETTOR, 2 BARREL suit SOFT CLUTCH		85.00	93.50	
351-11-4H-H <b>USE 350-11-4HH</b>	WEDGE, CARBURETTOR, 4 BARREL, suit MANIFOLD=HOLLEY, CARBY=HOLLEY		95.00	104.50	
<b>WEDGES CARBURETTOR</b>	<b>REFER TO 350 CHEVROLET ENGINE CONVERSION, PAGE 11, FOR COMPLETE LIST OF 4 BARREL WEDGES.</b>				
351-13	BELL HOUSING, GEARBOX - BORG WARNER / Z.F.		450.00	495.00	
351-16	HOUSING, FLYWHEEL COVER suit V-DRIVE / JET DRIVE		295.00	324.50	
351-17	THERMOSTAT OUTLET HOUSING		45.00	49.50	
351-18	THERMO CONTROL - FLYWHEEL DRIVE / SOFT CLUTCH		195.00	214.50	
351-18T <b>USE 350-18T</b>	THERMO CONTROL - TIMING CASE DRIVE / DOG CLUTCH		195.00	214.50	
351-19	THERMOSTAT BLANK OFF PLATE		25.00	27.50	
351-20	FLYWHEEL END KIT suit JD 3/4", FYNspray 3/4", 6490-2901 JABSCO PUMPS		345.00	379.50	
351-21	DOG CLUTCH ASSEMBLY		1250.00	1375.00	
351-21SC	SOFT CLUTCH ASSEMBLY inc CLUTCH KIT		1,500.00	1,650.00	
351-23S	MANIFOLDS, EXHAUST	PAIR	900.00	990.00	
351-30	TIMING CASE END KIT		295.00	324.50	
351-35	DRIVE ADAPTOR - FLYWHEEL 1310 SERIES		145.00	159.50	
351-35A	DRIVE ADAPTOR - FLYWHEEL 1410 SERIES		145.00	159.50	
351-37 <b>USE 350-37</b>	FLAME ARRESTOR 5/8" DIA		49.00	53.90	S



# KINCAID MARINE ROLCO

Phone: (03) 9308 0922 Mobile: 0428 627 463  
 Email: orders@kmrolco.com Website: www.kmrolco.com

## 351-302 FORD CLEVELAND V8 SPARE PARTS

PART NUMBER	DESCRIPTION	QTY	LIST PRICE	PRICE INC GST
351-2-B	GASKET, WATER INLET PLATE		12.00	13.20
351-11-2-B	GASKET, CARBURETTOR, 2 BARREL		7.00	7.70
351-11-4-B	GASKET, CARBURETTOR, 4 BARREL suit HOLLEY / SQUARE BORE		9.00	9.90
351-17- B	GASKET, THERMO OUTLET HOUSING		7.00	7.70
351-18A	ELBOW, THERMO CONTROL		65.00	71.50
351-20-A	MOUNTS, FLYWHEEL END, suit TIMING CASE DRIVE / DOG CLUTCH		195.00	214.50
351-20-B	WATER PUMP MOUNT suit ALL PUMPS		55.00	60.50
351-20-C	ALTERNATOR TENSION ARM		35.00	38.50
351-20-D	PULLEY, FLYWHEEL suit TIMING CASE DRIVE / DOG CLUTCH		145.00	159.50
351-20-G	VEE BELT A-32 suit WATER PUMP		19.00	20.90
351-20-H	VEE BELT A-35 suit ALTERNATOR		19.00	20.90
351-21-1A	SEAL RETAINER, HALF MOON suit DOG CLUTCH		35.00	38.50
351-21-A	DOG CLUTCH HOUSING ONLY		850.00	935.00
351-21-B	GASKET, TIMING CASE-DOG CLUTCH TO BLOCK		12.00	13.20
351-21SC-A	SOFT CLUTCH HOUSING ONLY		750.00	825.00
351-23-B	GASKETS, EXHAUST MANIFOLD	PAIR	25.00	27.50
351-23-B-LP	GASKETS, EXHAUST MANIFOLD - LARGE PORT / 4V	PAIR	25.00	27.50
351-23S-SK	STUD, NUT & WASHER KIT		65.00	71.50
351-24	NOSE DOG ASSEMBLY - BOB WEIGHT		395.00	434.50
351-24-B	NOSE DOG, HUB PIECE ONLY - BOB WEIGHT		295.00	324.50
351-24-FD	NOSE DOG, FLYWHEEL DRIVE – EARLY		395.00	434.50
351-30-A	ALTERNATOR MOUNT		55.00	60.50
351-30-B	WATER PUMP MOUNT suit 6490-2901 JABSCO PUMP		55.00	60.50
351-30-BF	WATER PUMP MOUNT Mounts on cylinder head suit FYNSPRAY PUMP		55.00	60.50
351-30-C	ALTERNATOR TENSION ARM		35.00	38.50
351-30-D	PULLEY, HARMONIC BALANCER		125.00	137.5.50
351-30-G	VEE BELT A-24 suit WATER PUMP		19.00	20.90
351-30-H	VEE BELT A-28 suit ALTERNATOR		19.00	20.90



# KINCAID MARINE ROLCO

Phone: (03) 9308 0922 Mobile: 0428 627 463  
 Email: orders@kmrolco.com Website: www.kmrolco.com

## 289-302-351 WINDSOR V8 CONVERSION

PART NUMBER	DESCRIPTION	QTY	LIST PRICE	PRICE INC GST	DISC
289-2	WATER INLET PLATE		95.00	104.50	
289-7S <b>USE 351-7S</b>	ENGINE MOUNTS - SHORT suit DOG CLUTCH	PAIR	90.00	99.00	
289-7L <b>USE 351-7L</b>	ENGINE MOUNTS - LEVEL suit V-DRIVE / JET DRIVE	PAIR	105.00	115.50	
289-7EL <b>USE 351-7EL</b>	ENGINE MOUNTS - EXTRA LONG suit SOFT CLUTCH	PAIR	150.00	165.00	
289-11-2	WEDGE, CARBURETTOR, 2 BARREL suit TIMING CASE DRIVE / DOG CLUTCH		85.00	93.50	
289-12-2 <b>USE 351-11-2</b>	WEDGE, CARBURETTOR, 2 BARREL suit FLYWHEEL DRIVE / SOFT CLUTCH		85.00	93.50	
<b>WEDGES CARBURETTOR</b>	<b>REFER TO 350 CHEVROLET ENGINE CONVERSION, PAGE 11, FOR COMPLETE LIST OF 4 BARREL WEDGES.</b>				
289-13 <b>USE 351-13</b>	BELL HOUSING, GEARBOX - BORG WARNER / Z.F.		450.00	495.00	
289-16 <b>USE 351-16</b>	HOUSING, FLYWHEEL COVER suit V-DRIVE / JET DRIVE		295.00	324.50	
289-17	THERMOSTAT OUTLET HOUSING		45.00	49.50	
289-18	THERMO CONTROL - FLYWHEEL DRIVE / SOFT CLUTCH		195.00	214.50	
289-18T <b>USE 350-18T</b>	THERMO CONTROL - TIMING CASE DRIVE / DOG CLUTCH		195.00	214.50	
289-19	THERMOSTAT BLANK OFF PLATE		25.00	27.50	
289-20 <b>USE 351-20</b>	FLYWHEEL END KIT suit JD ¾", FYNspray ¾", 6490-2901 JABSCO PUMP		345.00	379.50	
289-21	DOG CLUTCH ASSEMBLY		1500.00	1650.00	
289-21SC <b>USE 351-21SC</b>	SOFT CLUTCH ASSEMBLY inc CLUTCH KIT		1,500.00	1,650.00	
289-23S	MANIFOLDS, EXHAUST	PAIR	900.00	990.00	
289-30	TIMING CASE END KIT (SEE NOTES BELOW)		350.00	385.00	
289-35 <b>USE 351-35</b>	DRIVE ADAPTOR - FLYWHEEL 1310 SERIES		145.00	159.50	
289-35A <b>USE 351-35A</b>	DRIVE ADAPTOR - FLYWHEEL 1410 SERIES		145.00	159.50	
289-37 <b>USE 350-37</b>	FLAME ARRESTOR 5½" DIA		49.00	53.90	S

**PLEASE NOTE:** The timing case end of the Ford Windsor engine has changed numerous times over the years, which makes it difficult for us to supply you with the correct kit. We have a few different options available but have found some later model engines require you to drill and tap some holes in the block or make some brackets up yourself. We apologise for any inconvenience caused by this.



# KINCAID MARINE ROLCO

Phone: (03) 9308 0922 Mobile: 0428 627 463  
 Email: orders@kmrolco.com Website: www.kmrolco.com

## 289-302-351 WINDSOR V8 SPARE PARTS

PART NUMBER	DESCRIPTION	QTY	LIST PRICE	PRICE INC GST
289-2-B	GASKET, WATER PUMP BLANK OFF PLATE		12.00	13.20
289-11-B	GASKET, CARBURETTOR, 2 BARREL		7.00	7.70
289-17-B	GASKET, THERMOSTAT OUTLET HOUSING		7.00	7.70
289-20-A <b>USE 351-20-A</b>	MOUNTS, FLYWHEEL END suit TIMING CASE DRIVE / DOG CLUTCH	PAIR	195.00	214.50
289-20-B <b>USE 351-20-B</b>	WATER PUMP MOUNT suit JD ¾", FYNSPRAY ¾", 6490-2901 JABSCO PUMP		55.00	60.50
289-20-C <b>USE 351-20-C</b>	ALTERNATOR TENSION ARM		35.00	38.50
289-20-D <b>USE 351-20-D</b>	PULLEY, FLYWHEEL suit TIMING CASE DRIVE / DOG CLUTCH		145.00	159.50
289-20-G <b>USE 351-20-G</b>	VEE BELT A-32 suit WATER PUMP		19.00	20.90
289-20-H <b>USE 351-20-H</b>	VEE BELT A-35 suit ALTERNATOR		19.00	20.90
289-21-A	DOG CLUTCH HOUSING ONLY		850.00	935.00
289-21-B	GASKET, TIMING CASE-DOG CLUTCH TO BLOCK		12.00	13.20
289-21SC-A <b>USE 351-21SC-A</b>	SOFT CLUTCH HOUSING ONLY		750.00	825.00
289-23-B	GASKETS, EXHAUST MANIFOLDS	PAIR	25.00	27.50
289-23S-SK	STUD, NUT & WASHER KIT		65.00	71.50
289-24 <b>USE 351-24</b>	NOSE DOG ASSEMBLY - BOB WEIGHT		395.00	434.50
289-24-B <b>USE 351-24-B</b>	NOSE DOG, HUB PIECE ONLY - BOB WEIGHT		295.00	324.50
289-24-LATE	NOSE DOG ASSEMBLY - BOB WEIGHT, suit LATE MODEL 5.0 Litre		450.00	495.00
289-30-A	ALTERNATOR MOUNT		55.00	60.50
289-30-B	WATER PUMP MOUNT suit 6490-2901 JABSCO PUMP		55.00	60.50
289-30-C	ALTERNATOR TENSION ARM		55.00	60.50
289-30-D <b>USE 351-30-D</b>	PULLEY, HARMONIC BALANCER		125.00	137.50
289-30-G	VEE BELT A-24 suit WATER PUMP		19.00	20.90
289-30-H	VEE BELT A-28 suit ALTERNATOR		19.00	20.90



# KINCAID MARINE ROLCO

Phone: (03) 9308 0922 Mobile: 0428 627 463  
 Email: orders@kmrolco.com Website: www.kmrolco.com

## 250 FORD 6 CYL CONVERSION

PART NUMBER	DESCRIPTION	QTY	LIST PRICE	PRICE INC GST
250 XF-11-1	WEDGE, CARBURETTOR, 1 BARREL suit X-FLOW		45.00	49.50
250 XF-11-2	WEDGE, CARBURETTOR, 2 BARREL suit X-FLOW		45.00	49.50
250 XF-23S	MANIFOLD, EXHAUST TOP / BOTTOM OUTLET suit X-FLOW, ALLOY or CAST IRON HEAD		1250.00	1375.00
250 XF-30	TIMING CASE END KIT, X-FLOW suit ½" PLAIN BEARING PUMP		350.00	385.00
250 XF-37	FLAME ARRESTOR, 2 THROAT suit X-FLOW 3" HOLE		95.00	104.50
MF 8R	RISER – EXHAUST, 90° suit 250 XF-23S AL	EACH	395.00	434.50
250-2	WATER INLET PLATE		75.00	82.50
250-7L	ENGINE MOUNTS – LEVEL	PAIR	125.00	137.50
250-11-1	WEDGE, CARBURETTOR, 1 BARREL suit T/C DRIVE - PRE X-FLOW		45.00	49.50
250-12-1	WEDGE, CARBURETTOR, 1 BARREL suit F/W DRIVE - PRE X-FLOW		45.00	49.50
250-13	BELL HOUSING, GEARBOX - BORG WARNER / Z.F.		450.00	495.00
250-16	HOUSING, FLYWHEEL COVER suit V-DRIVE / JET DRIVE		350.00	385.00
250-17	THERMOSTAT OUTLET HOUSING		45.00	49.50
250-18 <b>USE 289-18</b>	THERMO CONTROL - FLYWHEEL DRIVE		195.00	214.50
250-19	THERMOSTAT BLANK OFF PLATE		28.00	30.80
250-20	FLYWHEEL END KIT, PRE X-FLOW suit ½" PLAIN BEARING PUMP		295.00	324.50
250-21	DOG CLUTCH ASSEMBLY		1250.00	1375.00
250-23T	MANIFOLD, EXHAUST, TRIPLE OUTLET suit PRE X-FLOW		1250.00	1375.00
250-30	TIMING CASE END KIT suit PRE X-FLOW		295.00	324.50
250-37 <b>USE 307-37</b>	FLAME ARRESTOR, 2½" DIA		95.00	104.50

**ABOVE ITEMS MAY BE SUBJECT TO A SIX (6) WEEK DELIVERY TIME**





# KINCAID MARINE ROLCO

Phone: (03) 9308 0922 Mobile: 0428 627 463  
 Email: orders@kmrolco.com Website: www.kmrolco.com

## 250 FORD 6 CYL SPARE PARTS

PART NUMBER	DESCRIPTION	LIST PRICE	PRICE INC GST
250 XF-23-B	GASKET, EXHAUST MANIFOLD suit X-FLOW	19.00	20.90
250 XF-23S-SK	STUD / NUT & WASHER KIT suit X-FLOW	45.00	49.50
250 XF-30-D	PULLEY, HARMONIC BALANCER, 4 BOLT suit X-FLOW	95.00	104.50
250 XF-30-E	WATER PUMP BASE PLATE suit X-FLOW	75.00	82.50
250 XF-30-G	VEE BELT A-34 suit WATER PUMP	19.00	20.90
250 XF-30-H	VEE BELT A-35 suit ALTERNATOR	19.00	20.90
250-2-B	GASKET, WATER INLET PLATE	8.00	8.80
250-17-B	GASKET, THERMOSTAT OUTLET	6.00	6.60
250-20-A	MOUNTS, FLYWHEEL END suit TIMING CASE DRIVE / DOG CLUTCH	195.00	214.50
250-20-B	WATER PUMP MOUNT suit ½" PLAIN BEARING PUMP	60.00	66.00
250-20-C	ALTERNATOR TENSION ARM	50.00	55.00
250-20-D	PULLEY, FLYWHEEL suit TIMING CASE DRIVE / DOG CLUTCH	150.00	165.00
250-20-E	ALTERNATOR MOUNT	50.00	55.00
250-20-G	VEE BELT A-40, ALTERNATOR / WATER PUMP	26.00	28.60
250-21-A	DOG CLUTCH HOUSING ONLY	750.00	825.00
250-21-B	GASKET, TIMING CASE-DOG CLUTCH TO BLOCK	12.00	13.20
250-23-B	GASKET, EXHAUST MANIFOLDS suit PRE X-FLOW	19.00	20.90
250-24	NOSE DOG ASSEMBLY SHRINK FIT 1" BUSH	250.00	275.00
250-24-B	NOSE DOG HUB PIECE ONLY SHRINK FIT	125.00	137.50
250-30-A	ALTERNATOR MOUNT	60.00	66.00
250-30-B	WATER PUMP MOUNT suit ½" PLAIN BEARING PUMP	50.00	55.00
250-30-C	ALTERNATOR TENSION ARM	35.00	38.50
250-30-D	PULLEY, HARMONIC BALANCER, 3 BOLT	95.00	104.50
250-30-E	WATER PUMP BASE PLATE	75.00	82.50
250-30-G	VEE BELT A-34 suit WATER PUMP	19.00	20.90
250-30-H	VEE BELT A-36 suit ALTERNATOR	19.00	20.90

**ABOVE ITEMS MAY BE SUBJECT TO A SIX (6) WEEK DELIVERY TIME**



# KINCAID MARINE ROLCO

Phone: (03) 9308 0922 Mobile: 0428 627 463  
 Email: orders@kmrolco.com Website: www.kmrolco.com

## 308 HOLDEN V8 CONVERSION

PART NUMBER	DESCRIPTION	QTY	LIST PRICE	PRICE INC GST	DISC
308-2	WATER INLET PLATE		75.00	82.50	
308-7S	ENGINE MOUNTS - SHORT suit DOG CLUTCH	PAIR	90.00	99.00	
308-7L	ENGINE MOUNTS - LEVEL suit V-DRIVE / JET DRIVE	PAIR	105.00	115.50	
308-7EL	ENGINE MOUNTS - EXTRA LONG suit SOFT CLUTCH	PAIR	120.00	132.00	
308-11-4Q-Q USE 350-11-4QQ	WEDGE, CARBURETTOR, 4 BARREL, suit DOG CLUTCH, MANIFOLD=QUAD, CARBY=QUAD		95.00	104.50	
308-12-4Q-Q USE 350-12-4QQ	WEDGE, CARBURETTOR, 4 BARREL, suit SOFT CLUTCH, MANIFOLD=QUAD, CARBY=QUAD		95.00	104.50	
202-11-2	WEDGE, CARBURETTOR, 2 BARREL		55.00	60.50	
<b>WEDGES CARBURETTOR</b>	<b>REFER TO 350 CHEVROLET ENGINE CONVERSION, PAGE 11, FOR COMPLETE LIST OF 4 BARREL WEDGES.</b>				
308-13	BELL HOUSING, GEARBOX – BORG WARNER / Z.F.		495.00	544.50	
308-16	HOUSING, FLYWHEEL COVER suit V-DRIVE / JET DRIVE		350.00	385.00	
308-17	THERMOSTAT OUTLET HOUSING		45.00	49.50	
308-18	THERMO CONTROL - FLYWHEEL DRIVE / SOFT CLUTCH		175.00	192.50	
308-18EFI USE 350-18	THERMO CONTROL - EFI, FLYWHEEL DRIVE		195.00	214.50	
308-18T	THERMO CONTROL - TIMING CASE DRIVE / DOG CLUTCH		195.00	214.50	
308-19	THERMOSTAT BLANK OFF PLATE		25.00	27.50	
308-20	FLYWHEEL END KIT		295.00	324.50	
308-21	DOG CLUTCH ASSEMBLY		1500.00	1650.00	
308-21SC	SOFT CLUTCH ASSEMBLY inc CLUTCH KIT		1,500.00	1,650.00	
308-23S	MANIFOLDS, EXHAUST	PAIR	900.00	990.00	
308-30	TIMING CASE END KIT suit ¾" PLAIN BEARING PUMP		295.00	324.50	
308-35	DRIVE ADAPTOR - FLYWHEEL 1310 SERIES		145.00	159.50	
308-35A	DRIVE ADAPTOR - FLYWHEEL 1410 SERIES		145.00	159.50	
308-37 USE 350-37	FLAME ARRESTOR 5½ " DIA		49.00	53.90	S

## 5.0L E.F.I. HOLDEN V8 CONVERSION

5.0-23S	MANIFOLDS, EXHAUST 5.0LT HOLDEN V8 EFI LATE MODEL	PAIR	900.00	990.00
5.0-30	TIMING CASE END KIT suit ¾" BALL BEARING PUMP		295.00	324.50

## 5.0L E.F.I. HOLDEN V8 SPARE PARTS

5.0-23B	GASKETS, EXHAUST MANIFOLD	PAIR	25.00	27.50
5.0-30-B	WATER PUMP MOUNT		55.00	60.50
5.0-30-C	ALTERNATOR TENSION ARM		50.00	55.00
5.0-30-D	PULLEY, HARMONIC BALANCER EFI V8		125.00	137.50
5.0-30-E	WATER PUMP BASE PLATE AND ALTERNATOR MOUNT		70.00	77.00

**FOR ALL OTHER 5.0L E.F.I. MARINISING COMPONENTS USE 308**

**NOTE: BELL HOUSING BOLT PATTERN ON 5.0L E.F.I. HOLDEN V8 IS THE SAME AS CHEVROLET, SEE 350 SECTION**



# KINCAID MARINE ROLCO

Phone: (03) 9308 0922 Mobile: 0428 627 463  
 Email: orders@kmrolco.com Website: www.kmrolco.com

## 308 HOLDEN V8 SPARE PARTS

PART NUMBER	DESCRIPTION	QTY	LIST PRICE	PRICE INC GST
308-2-B	GASKET, WATER INLET PLATE		12.00	13.20
308-11-B	GASKET, CARBURETTOR, 4 BARREL QUADRAJET		9.00	9.90
308-17-B	GASKET, THERMOSTAT		7.00	7.70
308-20-A	MOUNTS, FLYWHEEL END suit TIMING CASE DRIVE / DOG CLUTCH		195.00	214.50
308-20-B	WATER PUMP MOUNT suit ¾" PLAIN BEARING PUMPS		55.00	60.50
308-20-C	ALTERNATOR TENSION ARM		35.00	38.50
308-20-D <b>USE 350-20-D</b>	PULLEY, FLYWHEEL suit TIMING CASE DRIVE / DOG CLUTCH		125.00	137.50
308-20-F	SPACER ALTERNATOR		15.00	16.50
308-20-G	VEE BELT A-35 suit WATER PUMP		19.00	20.90
308-20-H	VEE BELT A-35 suit ALTERNATOR		19.00	20.90
308-21-A	DOG CLUTCH HOUSING ONLY		850.00	935.00
308-21-B	GASKET, TIMING CASE-DOG CLUTCH TO BLOCK		12.00	13.20
308-21SC-A	SOFT CLUTCH HOUSING ONLY		750.00	825.00
308-23-B	GASKET, EXHAUST MANIFOLD	PAIR	25.00	27.50
308-23S-SK <b>USE 350-23S-SK</b>	STUD, NUT & WASHER KIT		65.00	71.50
308-24	NOSE DOG ASSEMBLY SHRINK FIT - 1" BUSH		250.00	275.00
308-24P/T	NOSE DOG ASSEMBLY PIN TYPE - ¾" BUSH		250.00	275.00
308-24US	NOSE DOG ASSEMBLY UNDERSIZE		250.00	275.00
308-24-B	NOSE DOG HUB PIECE ONLY (SPECIFY TYPE)		125.00	137.50
308-24-FD	NOSE DOG, FLY WHEEL DRIVE – EARLY (suit HOLDEN V8)		395.00	434.50
308-30-A	ALTERNATOR MOUNT		55.00	60.50
308-30-B	WATER PUMP MOUNT		55.00	60.50
308-30-C	ALTERNATOR TENSION ARM		35.00	38.50
308-30-D	PULLEY, HARMONIC BALANCER		125.00	137.50
308-30-G	VEE BELT A-33 suit WATER PUMP		19.00	20.90
308-30-H	VEE BELT A-38 suit ALTERNATOR		26.00	28.60



# KINCAID MARINE ROLCO

Phone: (03) 9308 0922 Mobile: 0428 627 463  
 Email: orders@kmrolco.com Website: www.kmrolco.com

## V6 3.8 LT HOLDEN CONVERSION

PART NUMBER	DESCRIPTION	QTY	LIST PRICE	PRICE INC GST	DISC
3800-2	WATER INLET PLATE suit VN / VP / VR		85.00	93.50	
3800-2J	WATER INLET PLATE suit JET & VS / VT		85.00	93.50	
3800-7L	ENGINE MOUNTS, LEVEL inc ALTERNATOR MOUNT	PAIR	150.00	165.00	
3800-13	BELL HOUSING, GEARBOX – BORG WARNER / Z.F.		495.00	544.50	
3800-16	HOUSING, FLYWHEEL COVER suit JET / V-DRIVE		395.00	434.50	
3800-18	THERMO CONTROL - FLYWHEEL DRIVE/SOFT CLUTCH		175.00	192.50	
3800-18-OS-E	THERMOSTAT OFFSET MOUNT suit VS / VT		95.00	104.50	
3800-18-OS-O	THERMOSTAT OFFSET MOUNT suit VN / VP / VR		95.00	104.50	
3800-21SC	SOFT CLUTCH ASSEMBLY inc CLUTCH KIT		1,500.00	1,650.00	
3800-23S-E	MANIFOLDS, EXHAUST ASSEMBLY - EVEN PORT suit VS / VT	PAIR	900.00	990.00	
3800-23S-O	MANIFOLDS, EXHAUST ASSEMBLY - ODD PORT suit VN / VP / VR	PAIR	900.00	990.00	
3800-30J	ALTERNATOR MOUNTING KIT suit JET DRIVE (NO WATER PUMP MOUNT)		250.00	275.00	
3800-30VNR	TIMING CASE END KIT suit 6490-2901 JABSCO PUMP		350.00	385.00	
3800-30VST	TIMING CASE END KIT suit ¾ Ball Bearing Pump		350.00	385.00	
3800-37	FLAME ARRESTOR K & N STYLE		150.00	165.00	S

## V6 3.8 LT HOLDEN SPARE PARTS

PART NUMBER	DESCRIPTION	QTY	LIST PRICE	PRICE INC GST	DISC
3800-2B	GASKET, WATER INLET PLATE		12.00	13.20	
3800-3TIP	PULLEY, IDLER TENSIONER suit VS / VT		95.00	104.50	
3800-17B	GASKET, THERMOSTAT		7.00	7.70	
3800-23-EA	ADAPTORS, EXHAUST, EVEN PORT suit VS / VT	PAIR	395.00	434.50	
3800-23-OA	ADAPTORS, EXHAUST, ODD PORT suit VN / VP / VR	PAIR	395.00	434.50	
3800-23S-M	MANIFOLD ONLY, EXHAUST	PAIR	595.00	654.50	
3800-23S-SK	STUD, NUT & WASHER KIT		65.00	71.50	
3800-30-B-VNR	WATER PUMP MOUNT, suit VN / VP / VR / 6490-2901 JABSCO PUMP		50.00	55.00	
3800-30-B-VST	WATER PUMP MOUNT, suit VS / VT / 6490-2901 JABSCO PUMP		50.00	55.00	
3800-30-C	ALTERNATOR TENSION ARM, suit VN / VP / VR		50.00	55.00	
3800-30-D	PULLEY, HARMONIC BALANCER suit ALL MODELS		60.00	66.00	
3800-30-G-VNR	VEE BELT A-22, suit VN / VP / VR WATER PUMP		19.00	20.90	
3800-30-G-VST	VEE BELT A-27, suit VS / VT WATER PUMP		19.00	20.90	
3800-30-H-VNR	VEE BELT RIBBED 6PK (SURPENTINE)		75.00	82.50	S
3800-30-H-VST	VEE BELT RIBBED 6PK (SURPENTINE)		95.00	104.50	S



# KINCAID MARINE ROLCO

Phone: (03) 9308 0922 Mobile: 0428 627 463  
 Email: orders@kmrolco.com Website: www.kmrolco.com

## 202 HOLDEN 6 CYL CONVERSION

PART NUMBER	DESCRIPTION	QTY	LIST PRICE	PRICE INC GST
202-2	WATER INLET PLATE		75.00	82.50
202-7L	ENGINE MOUNTS - LEVEL	PAIR	120.00	132.00
202-11-1	WEDGE, CARBURETTOR, 1 BARREL		55.00	60.50
202-11-2	WEDGE, CARBURETTOR, 2 BARREL		55.00	60.50
202-11-V	WEDGE/ADAPTOR, CARBURETTOR, (2 TO 1 BARREL)		60.00	66.00
202-13	BELL HOUSING, GEARBOX - BORG WARNER / Z.F.		450.00	495.00
202-16	HOUSING, FLYWHEEL COVER suit JET / V-DRIVE		350.00	385.00
202-19	THERMOSTAT BLANK OFF PLATE		45.00	49.50
202-19T	THERMOSTAT OUTLET COVER suit THERMO CONTROL		55.00	60.50
202-20	FLYWHEEL END KIT suit 3/8" or 1/2" PLAIN BEARING PUMPS		350.00	385.00
202-21	DOG CLUTCH ASSEMBLY		1250.00	1,375.00
202-23S	MANIFOLD, EXHAUST, SINGLE BOTTOM OUTLET		995.00	1094.50
202-30	TIMING CASE END KIT suit 3/8" or 1/2" PLAIN BEARING PUMPS		350.00	385.00
202-37	FLAME ARRESTOR 2 <sup>5</sup> / <sub>16</sub> " DIA		95.00	104.50

## 202 HOLDEN 6 CYL SPARE PARTS

PART NUMBER	DESCRIPTION	QTY	LIST PRICE	PRICE INC GST
202-1-B	GASKET, CARBURETTOR, SINGLE BARREL		7.00	7.70
202-2-B	GASKET, WATER INLET PLATE		8.00	8.80
202-19-B	GASKET, THERMOSTAT OUTLET		6.00	6.60
202-20-A	MOUNTS, FLYWHEEL END suit TIMING CASE DRIVE/DOG CLUTCH	PAIR	195.00	214.50
202-20-B	WATER PUMP MOUNT suit 3/8" or 1/2" PLAIN BEARING PUMPS		50.00	55.00
202-20-C	ALTERNATOR TENSION ARM		35.00	38.50
202-20-D	PULLEY, FLYWHEEL suit TIMING CASE DRIVE/DOG CLUTCH		95.00	104.50
202-20-G	VEE BELT A-35		19.00	20.90
202-21-A	DOG CLUTCH HOUSING ONLY		750.00	825.00
202-21-B	GASKET, TIMING CASE-DOG CLUTCH TO BLOCK		10.00	11.00
202-23-B	GASKET, EXHAUST MANIFOLD		19.00	20.90
202-23S-SK	STUD, NUT & WASHER KIT		55.00	60.50
202-24	NOSE DOG ASSEMBLY SHRINK FIT 1" BUSH		250.00	275.00
202-24P/T	NOSE DOG ASSEMBLY PIN TYPE 3/4" BUSH		250.00	275.00
202-24US	NOSE DOG ASSEMBLY UNDERSIZE		250.00	275.00
202-24-B	NOSE DOG HUB PIECE ONLY (SPECIFY TYPE)		125.00	137.50
202-30-A	ALTERNATOR MOUNT		50.00	55.00
202-30-B	WATER PUMP MOUNT suit 3/8" or 1/2" PLAIN BEARING PUMPS		50.00	55.00
202-30-C	ALTERNATOR TENSION ARM		35.00	38.50
202-30-D	PULLEY, HARMONIC BALANCER		95.00	104.50
202-30-E	WATER PUMP BASE PLATE		50.00	55.00
202-30-G	VEE BELT A-25 suit WATER PUMP		19.00	20.90
202-30-H	VEE BELT A-34 suit ALTERNATOR		19.00	20.90

**ABOVE ITEMS MAY BE SUBJECT TO A SIX (6) WEEK DELIVERY TIME**



# KINCAID MARINE ROLCO

Phone: (03) 9308 0922 Mobile: 0428 627 463  
 Email: orders@kmrolco.com Website: www.kmrolco.com

## DOG CLUTCH SPARE PARTS

PART NUMBER	DESCRIPTION	LIST PRICE	PRICE INC GST
<b>SLIDER DOGS</b>			
SC 2	SLIDER DOG, 3 TOOTH, 10 SPLINE suit ROLCO / M.C.E. CLUTCH	165.00	181.50
SC 2-T	SLIDER DOG, 3 TOOTH, 10 SPLINE suit TAWCO CLUTCH WITH ALLOY FORK, (WIDE GROOVE)	165.00	181.50
SC 2-WVK	SLIDER DOG, 3 TOOTH, 6 SPLINE suit EARLY KINCAID & TAWCO CLUTCH	165.00	181.50
<b>DRIVE PIECES (DRIVE DOGS)</b>			
SC 24P/T-A	¾" DRIVE PIECE ONLY suit PIN TYPE HUBS	145.00	159.50
SC 24-1	1" DRIVE PIECE ONLY suit SHRINK FIT HUBS	145.00	159.50
SC 24-TAW	5/8" DRIVE PIECE ONLY suit TAWCO	145.00	159.50
<b>NOSE DOG HUBS &amp; ASSEMBLIES</b>			
<b>CHEVROLET</b>			
350-24	NOSE DOG ASSEMBLY SHRINK FIT 1" BUSH	250.00	275.00
350-24P/T	NOSE DOG ASSEMBLY PIN TYPE ¾" BUSH	250.00	275.00
350-24US	NOSE DOG ASSEMBLY UNDERSIZE	250.00	275.00
350-24-B	NOSE DOG HUB PIECE ONLY (SPECIFY TYPE)	125.00	137.50
<b>FORD</b>			
351-24	NOSE DOG ASSEMBLY – BOB WEIGHT	395.00	434.50
351-24-B	NOSE DOG, HUB PIECE ONLY – BOB WEIGHT	295.00	324.50
289-24 <b>USE 351-24</b>	NOSE DOG ASSEMBLY – BOB WEIGHT	395.00	434.50
289-24-B <b>USE 351-24-B</b>	NOSE DOG, HUB PIECE ONLY – BOB WEIGHT	295.00	324.50
289-24-LATE	NOSE DOG ASSEMBLY - BOB WEIGHT, suit LATE MODEL 5.0 Litre	450.00	495.00
250-24	NOSE DOG ASSEMBLY SHRINK FIT 1" BUSH	250.00	275.00
250-24-B	NOSE DOG HUB PIECE ONLY SHRINK FIT	125.00	137.50
<b>HOLDEN</b>			
308-24	NOSE DOG ASSEMBLY SHRINK FIT – 1" BUSH	250.00	275.00
308-24P/T	NOSE DOG ASSEMBLY PIN TYPE - ¾" BUSH	250.00	275.00
308-24US	NOSE DOG ASSEMBLY UNDERSIZE	250.00	275.00
308-24-B	NOSE DOG HUB PIECE ONLY (SPECIFY TYPE)	125.00	137.50
202-24	NOSE DOG ASSEMBLY SHRINK FIT 1" BUSH	250.00	275.00
202-24P/T	NOSE DOG ASSEMBLY PIN TYPE ¾" BUSH	250.00	275.00
202-24US	NOSE DOG ASSEMBLY UNDERSIZE	250.00	275.00
202-24-B	NOSE DOG HUB PIECE ONLY (SPECIFY TYPE)	125.00	137.50
202-24-WVK	NOSE DOG ASSEMBLY (SHORT) suit EARLY KINCAID & TAWCO CLUTCH	250.00	275.00
202-24-B-WVK	NOSE DOG HUB PIECE ONLY (SHORT) suit EARLY KINCAID & TAWCO CLUTCH	125.00	115.50
<b>CHRYSLER</b>			
265-24	NOSE DOG ASSEMBLY suit CHRYSLER 6 CYLINDER	350.00	385.00
265-24-B	NOSE DOG HUB PIECE ONLY suit CHRYSLER 6 CYLINDER	275.00	302.50
318-24	NOSE DOG ASSEMBLY suit CHRYSLER V8	350.00	385.00
<b>FLYWHEEL DRIVE</b>			
351-24-FD	NOSE DOG, FLYWHEEL DRIVE – EARLY suit FORD V8	395.00	434.50
308-24-FD	NOSE DOG, FLYWHEEL DRIVE – EARLY suit HOLDEN V8 & CHEV V8	395.00	434.50

**MOST ROLCO NOSE DOGS WILL INTERCHANGE WITH ALL OTHER BRANDS OF CLUTCHES**



# KINCAID MARINE ROLCO

Phone: (03) 9308 0922 Mobile: 0428 627 463  
 Email: orders@kmrolco.com Website: www.kmrolco.com

## DOG CLUTCH SPARE PARTS

PART NUMBER	DESCRIPTION	LIST PRICE	PRICE INC GST
<b>LEVERS</b>			
DC 10-5	LEVER, DOG CLUTCH, 5", BALL DETENT TYPE POLISHED	95.00	104.50
DC 10-8	LEVER, DOG CLUTCH, 8", BALL DETENT TYPE POLISHED	95.00	104.50
DC 10-V	LEVER, DOG CLUTCH, 8", PUSH DOWN TYPE, suit V-DRIVE POLISHED	95.00	104.50
DC 10-FNR	LEVER, 3 POSITION, 8", PUSH DOWN TYPE, suit FORWARD / NEUTRAL / REVERSE POLISHED	95.00	104.50
<b>FORKS</b>			
SC 1	FORK, SELECTOR, LONG, TOP BOLT, suit DOG CLUTCH	60.00	66.00
FLC 2	FORK, SELECTOR, SHORT, TOP BOLT, suit DOG CLUTCH	60.00	66.00
LC 2	FORK, SELECTOR, SHORT, FRONT BOLT suit ROLCO LINE CLUTCH and M.C.E. DOG CLUTCHES	60.00	66.00
SC 1-WVK	FORK, SELECTOR, suit EARLY KINCAID & TAWCO DOG CLUTCHES	75.00	82.50
SC 1-TAW	FORK, SELECTOR, ALLOY, suit TAWCO DOG CLUTCH	75.00	82.50
<b>INTERNAL DOG CLUTCH SPARES</b>			
SC 3-¾	SHAFT, ¾" SPIGOT, SPLINED, FLANGED, suit DOG CLUTCH	350.00	385.00
SC 4	SEAL CARRIER KIT, suit DOG CLUTCH	75.00	82.50
SC 4B	GASKET, SEAL CARRIER, suit DOG CLUTCH	10.00	11.00
SC 5	SEAL 1¾"ID x 2½"OD x ¾" WIDE, suit DOG CLUTCH and SOFT CLUTCH	12.00	13.20
SC 6	BEARING 3207 - 2RSR DOUBLE ROW, suit EARLY DOG CLUTCH	75.00	82.50
SC 6A	BEARING 6207 - 2RSR SINGLE ROW, suit DOG CLUTCH	25.00	27.50
SC 12	BUSH 1" ID x 1½" OD x ¾" LONG, suit EARLY DOG CLUTCH	12.00	13.20
SC 12P/T	BUSH ¾" ID x ⅞" OD x ¾" LONG, suit PIN TYPE NOSE DOG	12.00	13.20
SC 9	"O" RING ½" x ⅜", SELECTOR SHAFT, suit DOG CLUTCH	2.50	2.75
SC 14A	BALL JOINT, ⅜" SLIDING, LEVER and SELECTOR SHAFT, suit DOG CLUTCH	25.00	27.50
SC 15	SELECTOR SHAFT, suit DOG CLUTCH	55.00	60.50
SC 17	LID KIT, suit DOG CLUTCH	45.00	49.50
SC 17B	GASKET, LID, suit DOG CLUTCH	10.00	11.00
SC 19	GRUB SCREWS - NOSE DOG HUB RETAINING (SET OF 2), suit DOG CLUTCH	6.00	6.60
SC 20	SCREWS - SEAL CARRIER (SET OF 6), suit DOG CLUTCH	12.00	13.20
SC 24P/T-P	DRIVE PIN, ⅝", suit PIN TYPE NOSE DOG HUBS	6.00	6.60
SC 25	CIRCLIP, MAIN SHAFT, suit DOG CLUTCH and SOFT CLUTCH	6.00	6.60
SC 26	BOLT KIT, DOG CLUTCH HOUSING TO ENGINE BLOCK (ALL ENGINES)	25.00	27.50
LC 24-A	SHAFT, SPLINED, suit FLYWHEEL OR LINE CLUTCH	495.00	544.50
LC 24-B	SHAFT, KEYED, suit LINE CLUTCH, 1" DIA - ¼" KEY	350.00	385.00

**FOR BARE DOG CLUTCH HOUSINGS, REFER TO APPLICABLE ENGINE SPARE PARTS SECTION e.g. CHEVROLET, FORD, HOLDEN**



# KINCAID MARINE ROLCO

Phone: (03) 9308 0922 Mobile: 0428 627 463  
 Email: orders@kmrolco.com Website: www.kmrolco.com

## SOFT CLUTCH SPARE PARTS

PART NUMBER	DESCRIPTION	LIST PRICE	PRICE INC GST
SM 1	FORK, CLUTCH RELEASE, suit SOFT CLUTCH	120.00	132.00
SM 1RS	SPRING, RETURN, suit CLUTCH RELEASE FORK, SOFT CLUTCH	9.00	9.90
SM 2	CARRIER, RELEASE BEARING, suit SOFT CLUTCH	65.00	71.50
SM 3	SHAFT, SPLINED, suit SOFT CLUTCH	350.00	385.00
SM 4	SEAL CARRIER KIT, suit SOFT CLUTCH	75.00	82.50
SM 4B	GASKET, SEAL CARRIER, suit SOFT CLUTCH	8.00	8.80
SM 5	PIVOT ADJUSTER BALL & NUT, suit SOFT CLUTCH RELEASE FORK	35.00	38.50
SM 6	SPRING, RETAINING, suit SOFT CLUTCH RELEASE FORK (SM 1 to SM 5)	10.00	11.00
SM 10	CLUTCH LEVER ASSEMBLY, suit SOFT CLUTCH, LEFT OR RIGHT HAND	250.00	275.00
SM 10TS	SPRING, TENSION, suit SOFT CLUTCH LEVER	23.00	25.30
SM 10EB-70	EXTENSION BRACKET , 70mm OFFSET, suit SOFT CLUTCH LEVER ASSY	60.00	66.00
SM 10EB-100	EXTENSION BRACKET , 100mm OFFSET, suit SOFT CLUTCH LEVER ASSY	60.00	66.00
SM 11	CABLE KIT inc PULLEY, suit SOFT CLUTCH	140.00	154.00
SM 11D	FLOOR ANCHOR MOUNT KIT, suit SOFT CLUTCH	35.00	38.50
SM 12	CLUTCH & PRESSURE PLATE KIT inc BEARING, suit SOFT CLUTCH	298.00	327.80
SM 12TB	THRUST BEARING, CLUTCH RELEASE, suit SOFT CLUTCH	45.00	49.50
SM 13	SPIGOT BUSH, suit SOFT CLUTCH, CHEV & HOLDEN V8	15.00	16.50
SM 13-LS1	SPIGOT BUSH, suit SOFT CLUTCH, LS1 & GEN III ENGINES	25.00	27.50
SM 13-351	SPIGOT BUSH, suit SOFT CLUTCH, FORD V8 ENGINES	15.00	16.50
SM 35	1300 SERIES DRIVE ADAPTOR - V-DRIVE / SOFT CLUTCH	150.00	165.00
SM 35A	1400 SERIES DRIVE ADAPTOR - V-DRIVE / SOFT CLUTCH	150.00	165.00
SC 5	SEAL 1¼"ID x 2½"OD x ⅜" WIDE, suit DOG CLUTCH and SOFT CLUTCH	12.00	13.20
SC 6A	BEARING 6207 - 2RSR SINGLE ROW, suit SOFT CLUTCH	25.00	27.50
SC-25	CIRCLIP, MAIN SHAFT	6.00	6.60

## F / N / R BORG WARNER / Z.F. SPARE PARTS

PART NUMBER	DESCRIPTION	LIST PRICE	PRICE INC GST	DISC
ZF45C	TRANSMISSION, ZF HURTH, FORWARD / NEUTRAL / REVERSE	P.O.A.	P.O.A.	S
BW 1	TRANSMISSION, BORG WARNER, F / N / R	P.O.A.	P.O.A.	S
BW 2	DRIVE PLATE (FLEX PLATE), suit F / N / R TRANSMISSION (ALL)	190.00	209.00	S
BW 3	OIL COOLER, suit F / N / R TRANSMISSION (ALL)	275.00	302.50	S
BW 4	HOSE KIT, OIL COOLER suit BORG WARNER, F / N / R TRANSMISSION	85.00	93.50	
ZF 4	HOSE KIT, OIL COOLER suit ZF, F / N / R TRANSMISSION	85.00	93.50	
BW 5	BRACKET & CLAMP COOLER/SELECTOR CABLE, suit BORG WARNER	65.00	71.50	
ZF 5	BRACKET, OIL COOLER suit ZF, F / N / R TRANSMISSION	65.00	71.50	
BW 6	STUD KIT, GEARBOX TO HOUSING suit BORG WARNER	45.00	49.50	
ZF 6	STUD KIT, GEARBOX TO HOUSING suit ZF	45.00	49.50	
BW 7	LEVER, SHIFT, suit F / N / R TRANSMISSION	100.00	110.00	S
BW 8	CLAMP, RUBBER LINED SUIT OIL COOLER	10.00	11.00	S
SC 10BWS-1	COUPLING, PROPELLER SHAFT, 1", suit BORG WARNER / ZF TRANSMISSION, SPLIT TYPE	135.00	148.50	
SC 10BWS-1½	COUPLING, PROPELLER SHAFT, 1½", suit BORG WARNER / ZF TRANSMISSION, SPLIT TYPE	135.00	148.50	

**FOR F / N / R HOUSINGS, REFER TO APPLICABLE ENGINE CONVERSION SECTION**





# KINCAID MARINE ROLCO

Phone: (03) 9308 0922 Mobile: 0428 627 463  
 Email: orders@kmrolco.com Website: www.kmrolco.com

## COUPLINGS AND DRIVE ADAPTORS

PART NUMBER	DESCRIPTION	LIST PRICE	PRICE INC GST
<b>PROP SHAFT COUPLINGS</b>			
SC 10-1	COUPLING, PROPELLER SHAFT, 1" (EARLY LARGE FLANGE) suit ROLCO / TAWCO / KINCAID DOG CLUTCHES	135.00	148.50
SC 10-7/8	COUPLING, PROPELLER SHAFT 7/8" (EARLY LARGE FLANGE) suit ROLCO / TAWCO / KINCAID DOG CLUTCHES	135.00	148.50
SC 10BWS-1	COUPLING, PROPELLER SHAFT, 1", suit BORG WARNER / ZF TRANSMISSION, SPLIT TYPE	135.00	148.50
SC 10BWS-1 1/8	COUPLING, PROPELLER SHAFT, 1 1/8", suit BORG WARNER / ZF TRANSMISSION, SPLIT TYPE	135.00	148.50
SC 10S	COUPLING, PROPELLER SHAFT, <u>SPLIT</u> , 1" suit ROLCO / M.C.E.	135.00	148.50
SC 10S-7/8	COUPLING, PROPELLER SHAFT, <u>SPLIT</u> , 7/8" suit ROLCO / M.C.E.	135.00	148.50
SC 10S-1 1/8	COUPLING, PROPELLER SHAFT, <u>SPLIT</u> , 1 1/8" suit ROLCO / M.C.E.	135.00	148.50
SC 10S-TW	COUPLING, PROPELLER SHAFT, <u>SPLIT</u> , 1" suit TAWCO	135.00	148.50
SC 10S-7/8TW	COUPLING, PROPELLER SHAFT, <u>SPLIT</u> , 7/8" suit TAWCO	135.00	148.50
SC 10-1300	COUPLING, PROPELLER SHAFT, 1" (EARLY LARGE FLANGE) suit GILFLIGHT / SUPACHEV SOFT CLUTCHES (RECTANGULAR BOLT PATTERN)	135.00	148.50
SC 11	BOLT KIT suit SC 10	25.00	27.50
SC 11S	BOLT KIT suit SC 10S	25.00	27.50
<b>DRIVE ADAPTORS, FLYWHEEL suit V-DRIVE OR JET DRIVE</b>			
289-35 <b>USE 351-35</b>	DRIVE ADAPTOR - FLYWHEEL 1310 SERIES	150.00	165.00
289-35A <b>USE 351-35A</b>	DRIVE ADAPTOR - FLYWHEEL 1410 SERIES	150.00	165.00
308-35	DRIVE ADAPTOR - FLYWHEEL 1310 SERIES	150.00	165.00
308-35A	DRIVE ADAPTOR - FLYWHEEL 1410 SERIES	150.00	165.00
350-35	DRIVE ADAPTOR - FLYWHEEL 1310 SERIES	150.00	165.00
350-35A	DRIVE ADAPTOR - FLYWHEEL 1410 SERIES	150.00	165.00
350-35-LM	DRIVE ADAPTOR - FLYWHEEL 1310 SERIES suit LATE MODEL	150.00	165.00
350-35ALM	DRIVE ADAPTOR - FLYWHEEL 1410 SERIES suit LATE MODEL	150.00	165.00
LS1-35	DRIVE ADAPTOR - FLYWHEEL 1310 SERIES suit GEN III	175.00	192.50
LS1-35A	DRIVE ADAPTOR - FLYWHEEL 1410 SERIES suit GEN III	175.00	192.50
LSA-35A	DRIVE ADAPTOR - FLYWHEEL 1410 SERIES suit GEN III	195.00	214.50
351-35	DRIVE ADAPTOR - FLYWHEEL 1310 SERIES	150.00	165.00
351-35A	DRIVE ADAPTOR - FLYWHEEL 1410 SERIES	150.00	165.00
SM 35	1310 SERIES DRIVE ADAPTOR - V-DRIVE / SOFT CLUTCH	150.00	165.00
SM 35A	1410 SERIES DRIVE ADAPTOR - V-DRIVE / SOFT CLUTCH	150.00	165.00

## ENGINE BEARER MOUNTS, ADJUSTABLE

PART NUMBER	DESCRIPTION	LIST PRICE	PRICE INC GST
ADJ 15-1	ADJUSTABLE ENGINE BEARER MOUNTS, CENTRE MOUNT suit 6" BEARER	185.00	203.50
ADJ 15-2	ADJUSTABLE ENGINE BEARER MOUNTS, CENTRE MOUNT suit 5" BEARER	185.00	203.50
ADJ 15-3	ADJUSTABLE ENGINE BEARER MOUNTS, V-DRIVE suit 6" BEARER	185.00	203.50
ADJ 15-4	ADJUSTABLE ENGINE BEARER MOUNTS, V-DRIVE suit 5" BEARER	185.00	203.50
ADJ 15-B	BEARER BRACKET State Type ADJ - 1, 2, 3 or 4	35.00	38.50
ADJ 15-S	BRACKET, ADJUSTER, SLIDING	35.00	38.50



# KINCAID MARINE ROLCO

Phone: (03) 9308 0922 Mobile: 0428 627 463  
 Email: orders@kmrolco.com Website: www.kmrolco.com

## EXHAUST MANIFOLDS – MISCELLANEOUS

PART NUMBER	DESCRIPTION	QTY	LIST PRICE	PRICE INC GST
<b>LEXUS 4.0 LT V8</b>				
LEX-23S	MANIFOLDS, EXHAUST- LEXUS	PAIR	1250.00	1,375.00
<b>HOLDEN 5.0 LT EFI V8</b>				
5.0-23S	MANIFOLDS, EXHAUST 5.0LT HOLDEN V8 EFI	PAIR	900.00	990.00
5.0-23-B	GASKETS, EXHAUST MANIFOLD	PAIR	25.00	27.50
<b>P76 LEYLAND V8</b>				
P76-23S	MANIFOLDS, EXHAUST	PAIR	1250.00	1375.50
P76-23-B	GASKETS, EXHAUST MANIFOLD	PAIR	25.00	27.50
P76-23S-SK	STUD, NUT & WASHER KIT		65.00	71.50
<b>CHRYSLER 318 V8</b>				
318-23S	MANIFOLDS, EXHAUST	PAIR	1250.00	1,375.50
318-23-B	GASKETS, EXHAUST MANIFOLD	PAIR	25.00	27.50
318-23S-SK	STUD, NUT & WASHER KIT		65.00	71.50
<b>CHRYSLER 180 6 CYL STERN DRIVE</b>				
180-23	MANIFOLD, EXHAUST		1,250.00	1,375.00
180-23-B	GASKET, EXHAUST MANIFOLD		27.00	29.70
<b>CHRYSLER 265 HEMI 6 CYL</b>				
265-23	MANIFOLD, EXHAUST - TRIPLE OUTLET		1,250.00	1,375.00
265-23-B	GASKET, EXHAUST MANIFOLD		27.00	29.70
<b>CHEVROLET V6 MANIFOLDS</b>				
4.3CV6-23S	MANIFOLDS, EXHAUST	PAIR	995.00	1,094.50
4.3CV6-23A	ADAPTORS, STEEL, V6 CHEV TO V6 HOLDEN MANIFOLDS	PAIR	350.00	385.00

**ABOVE ITEMS MAY BE SUBJECT TO A SIX (6) WEEK DELIVERY TIME**



# KINCAID MARINE ROLCO

Phone: (03) 9308 0922 Mobile: 0428 627 463  
 Email: orders@kmrolco.com Website: www.kmrolco.com

## EXHAUST MANIFOLD ACCESSORIES

PART NUMBER	DESCRIPTION	QTY	LIST PRICE	PRICE INC GST
MF 1	FLANGE, EXHAUST MANIFOLD, 2½" suit ROLCO, 4 BOLT SQUARE SS	EACH	35.00	38.50
MF 1M	FLANGE, EXHAUST MANIFOLD, 2½" suit M.C.E., 4 BOLT ROUND SS	EACH	35.00	38.50
MF 1T	FLANGE, EXHAUST MANIFOLD, 2½" suit TAWCO, 3 BOLT ROUND SS	EACH	35.00	38.50
MF 2	GASKET, EXHAUST FLANGE, 2½" suit ROLCO, 4 BOLT SQUARE	EACH	7.00	7.70
MF 2M	GASKET, EXHAUST FLANGE, 2½" suit M.C.E., 4 BOLT ROUND	EACH	7.00	7.70
MF 2T	GASKET, EXHAUST FLANGE, 2½" suit TAWCO, 3 BOLT ROUND	EACH	7.00	7.70
MF 3	BLANK OFF PLATE, EXHAUST MANIFOLD AL	EACH	20.00	22.00
MF 4	FLANGE, EXHAUST MANIFOLD 3" suit 454 SS	EACH	60.00	66.00
MF 5	GASKET, FLANGE 3" suit 454	EACH	12.00	13.20
MF 6R	RISER – EXHAUST, 6" WATER COOLED AL	PAIR	900.00	990.00
MF 10R	RISER – EXHAUST, 10" WATER COOLED 3" suit 454 AL	PAIR	995.00	1,094.50
MF 7	HOSE EXTENSION, STRAIGHT 2½" AL	EACH	35.00	38.50
MF 7-45	HOSE EXTENSION, 45° 2½" AL	EACH	55.00	60.50
MF 7-90	HOSE EXTENSION, 90° 2½" AL	EACH	55.00	60.50
MF 8	RISER – EXHAUST, 90° suit 250 XF-23S AL	EACH	395.00	434.50
MF 9	CLAMPS suit EXHAUST BENDS & RISERS AL	PAIR	15.00	16.50
MF 45B	EXHAUST BEND, 45° WATER COOLED suit 2½" HOSE AL	PAIR	250.00	275.00
MF 65-AL	EXHAUST "S" BENDS, 2½" AL	PAIR	250.00	275.00

## SILENCERS (MUFFLERS)

PART NUMBER	DESCRIPTION	QTY	LIST PRICE	PRICE INC GST
ES-2½	SILENCER INLINE 2½" AL	PAIR	250.00	275.00
ES-3	SILENCER INLINE 2½", 3", 3½" WITH BALANCE PIPE AL Suit 2½", 3" or 3½" HOSE. CAN BE USED TO ADAPT FROM ONE HOSE SIZE TO ANOTHER. SUITABLE FOR WHEN YOU CANNOT FIT 3 ½" EXHAUST OUTLETS TO BOAT. e.g. MERCUISER OR INDMAR WITH 3½" EXHAUST HOSE.	PAIR	295.00	324.50
ES4	ADAPTOR 4" 31/2" 3" 21/2"	EACH	90.00	99.00



# KINCAID MARINE ROLCO

Phone: (03) 9308 0922 Mobile: 0428 627 463  
 Email: orders@kmrolco.com Website: www.kmrolco.com

## EXHAUST OUTLETS

PART NUMBER	DESCRIPTION	QTY	LIST PRICE	PRICE INC GST	DISC
<b>EXHAUST OUTLETS</b>					
EFC 2•5 / 3	EX. OUTLET FLARED 2½" or 3" 90° TRANSOM with FLAP, Polished	PAIR	175.00	192.50	
EFC 2•5 / 3A	EX. OUTLET FLARED 2½" or 3" ANGLE TRANSOM with FLAP, Pol.	PAIR	195.00	214.50	
EFC 3•5	EX. OUTLET FLARED 3½" 90° TRANSOM with FLAP, Polished	PAIR	230.00	253.00	
EFC 5	EX. OUTLET FLARED 2½" or 3" 90° MUFFLED with FLAP, Polished	PAIR	250.00	275.00	
EFC 2•5 / 3 – EX8	EX. OUTLET 2½" or 3" x 8" LONG EXTENDED WITH FLAP Suit 90° TRANSOM (Polished)	PAIR	295.00	324.50	
EFC 2•5 / 3A – EX8	EX. OUTLET 2½" or 3" x 8" LONG EXTENDED WITH FLAP Suit ANGLE TRANSOM (Polished)	PAIR	295.00	324.50	
EFC 3.5 – EX8	EX. OUTLET 3½" x 8" LONG EXTENDED WITH FLAP Suit 90° TRANSOM (Polished)	PAIR	350.00	385.00	

## EXHAUST FLAPS & SPARE PARTS

PART NUMBER	DESCRIPTION	QTY	LIST PRICE	PRICE INC GST	DISC
EFC 2•5 R	RUBBER FLAP, FLAT suit 2½" & 3" HOSE, FLARED OUTLETS	EACH	9.00	9.90	
EFC F3-4	FLAPPER KIT, FLAT, inc Half-moon, Flap & Screws suit EFC EX. OUTLETS	KIT	18.00	19.80	
EFC 2•5 P	RETAINING PLATE, HALFMOON (SPECIFY SIZE AND TYPE)	EACH	7.00	7.70	
EFC 3•5 R	RUBBER FLAP, FLAT, LARGE suit 3½" HOSE, FLARED OUTLETS	EACH	12.00	13.20	
EF 2½ R	RUBBER FLAP – KMR MOULDED FLAP ALSO SUIT EMCO	EACH	14.00	15.40	
EF 6080	CLAMP ON RUBBER FLAP, 60 - 80mm	EACH	20.00	22.00	
SSC 80 WD	HOSE CLAMP, suit 60 - 80mm CLAMP ON FLAP	EACH	5.00	5.50	
EF 80105	CLAMP ON RUBBER FLAP, 80 - 105mm suit SKI NAUTIQUE	EACH	35.00	38.50	
EF 2½ CF-K	CHROME FLAPPER KIT 2½" inc NYLON BLOCK	EACH	150.00	165.00	
EF 2½ F3-K	RUBBER FLAP suit EF 2½ CF-K	EACH	9.00	9.90	
EF 2½ F2-K	NYLON BLOCK suit EF 2½ CF-K	EACH	18.00	19.80	

## EXHAUST HOSE, TUBE & CLAMPS

PART NUMBER	DESCRIPTION	QTY	LIST PRICE	PRICE INC GST	DISC
EX-CK 2•5	CONNECTION KIT, 2½" (4 HOSES, 8 CLAMPS)		80.00	88.00	S
EXH R 2•5	HOSE, EXHAUST, 2½" ID WIRE REINFORCED (HUMP BACK)	P/M	95.00	104.50	S
EXH NR 2•5	HOSE, EXHAUST, 2½" ID NON WIRE REINFORCED	P/M	65.00	71.50	S
EXH R 3	HOSE, EXHAUST, 3" ID WIRE REINFORCED (HUMP BACK)	P/M	105.00	115.50	S
EXH NR 3	HOSE, EXHAUST, 3" ID NON WIRE REINFORCED	P/M	70.00	77.00	S
EXH R 3•5	HOSE, EXHAUST, 3½" ID WIRE REINFORCED (HUMP BACK)	P/M	115.00	126.50	S
EXH NR 3.5	HOSE, EXHAUST, 3½" ID NON WIRE REINFORCED	P/M	75.00	82.50	S
SSC 80 WD	HOSE CLAMP 60 - 80mm 2½" HOSE SS	EACH	4.50	4.95	S
SSC 80 SC	HOSE CLAMP, BOLT TYPE suit 2½" HUMP BACK HOSE	EACH	15.00	16.50	S
SSC 90 SC	HOSE CLAMP, BOLT TYPE suit 3" HUMP BACK HOSE	EACH	16.00	17.60	S
SSC 100 SC	HOSE CLAMP, BOLT TYPE suit 3½" HUMP BACK HOSE	EACH	20.00	22.00	S
EX SST 2•5	2½" SS TUBE	P/M	70.00	77.00	S
EX SST 3•5	3½" SS TUBE	P/M	90.00	99.00	S



# KINCAID MARINE ROLCO

Phone: (03) 9308 0922 Mobile: 0428 627 463  
Email: orders@kmrolco.com Website: www.kmrolco.com

## THERMOSTAT CONTROL SPARE PARTS

PART NUMBER	DESCRIPTION	LIST PRICE	PRICE INC GST
TC-18-160T	THERMOSTAT 160°, STAINLESS STEEL	25.00	27.50
TC-18-S	SPRING, THERMO CONTROL STAINLESS STEEL	12.00	13.20
TC-18-SRC	CIRCLIP, SPRING RETAINING STAINLESS STEEL	5.00	5.50
TC-18-SRW	WASHER, SPRING RETAINER STAINLESS STEEL	2.00	2.20
TC-18-V	VALVE, THERMO CONTROL	16.00	17.60

## OIL FILTER TAKEOFFS / COOLER ADAPTORS / REMOTE MOUNTS

PART NUMBER	DESCRIPTION	LIST PRICE	PRICE INC GST
OF 1B	OIL FILTER RELOCATION TAKEOFF CHEV.BB	120.00	132.00
OF 1C	OIL FILTER RELOCATION TAKEOFF CHEV.SB	95.00	104.50
OF 1F	OIL FILTER RELOCATION TAKEOFF FORD	95.00	104.50
OF 1H	OIL FILTER RELOCATION TAKEOFF HOLDEN AND LS1	95.00	104.50
OF 2F	REMOTE FILTER MOUNT FORD	70.00	77.00
OF 2H	REMOTE FILTER MOUNT CHEV / HOLDEN	70.00	77.00
OF 3B	OIL TAKEOFF TO COOLER CHEV.BB	120.00	132.00
OF 3C	OIL TAKEOFF TO COOLER CHEV.SB	95.00	104.50
OF 3F	OIL TAKEOFF TO COOLER FORD	95.00	104.50
OF 3H	OIL TAKEOFF TO COOLER HOLDEN AND LS1	95.00	104.50
OF OR	'O' RING suit OF 1B/C & OF 3B/C	8.00	8.80
OF SR	'O' RING suit OF 1F/H & OF 3F/H	9.00	9.90
OF TN	TUBE NUTS Z/P state model number on ordering	52.00	57.20

## SAND TRAP (Sand Filter suit Jet Drive)

PART NUMBER	DESCRIPTION	LIST PRICE	PRICE INC GST
ST 1	SAND TRAP ASSEMBLY	175.00	192.50
ST 1-C	BALL VALVE, SAND TRAP	29.00	31.90
ST 1-G	GLASS, SAND TRAP	45.00	49.50
ST 1-OR	'O' RING, SAND TRAP	9.00	9.90



# KINCAID MARINE ROLCO

Phone: (03) 9308 0922 Mobile: 0428 627 463  
 Email: orders@kmrolco.com Website: www.kmrolco.com

## WATER PUMPS

PART NUMBER	DESCRIPTION	LIST PRICE	PRICE INC GST	DISC
<b>JOHNSON OR JABSCO</b>				
F5 B8	WATER PUMP, 3/4" BALL BEARING	495.00	544.50	S
F6 B9	WATER PUMP, 3/4" BALL BEARING, CRANK DRIVEN, suit GEN III and INDMAR ENGINES (MALIBU BOATS)	395.00	434.50	S
<b>FYNSPRAY</b>				
WS 35	WATER PUMP, 3/8" PLAIN BEARING	350.00	385.00	S
WS 36	WATER PUMP, 1/2" PLAIN BEARING	350.00	385.00	S
WS 37	WATER PUMP, 3/4" PLAIN BEARING replaces JD 3/4"	350.00	385.00	S
<b>ARGO</b>				
ARGO-WP	ARGO CAMSHAFT DRIVE WATER PUMP, CHROME	580.00	638.00	S
ARGO-WP-HF	ARGO CAMSHAFT DRIVE WATER PUMP, HIGH FLOW 1" BSP PORTS	680.00	748.00	S
<b>MERCUISER</b>				
MERC-WP-B	BRASS BODY, WATER PUMP, COMPLETE PUMP ASSEMBLY, REPLACES PLASTIC BODY TYPE	450.00	495.00	S
<b>CAM DRIVE WATER PUMP</b>				
WP-CAM	CAM DRIVE WATER PUMP	395.00	434.50	S
350-21-TC	TIMING COVER suit CAM DRIVE PUMP S/B/C (POLISHED)	250.00	275.00	S

## WATERPUMP SPARE PARTS

PART NUMBER	DESCRIPTION	LIST PRICE	PRICE INC GST	DISC
JON-S1	SEAL suit JOHNSON F5 B8 PUMP	10.00	11.00	S
JAB-S1	SEAL suit JABSCO 6490-2901 PUMP	10.00	11.00	S
WPG	GASKETS, BACKING PLATE (SPECIFY PUMP TYPE)	9.00	9.90	S
3791-P	SEAL PACKING JD 3/4" JABSCO PUMP (ROUND BUSH)	45.00	49.50	S
<b>FYNSPRAY</b>				
WS 37/1	SHAFT & KEY	60.00	66.00	S
WS 37/2	GLAND NUT	55.00	60.50	S
WS 37/3	LOCK NUT	11.00	12.10	S
WS 37/5	GREASE CAP ASSEMBLY	40.00	44.00	S
WS 37/8	BRASS KEY	12.00	13.20	S
WS 37/9	SEAL PACKING (ROPE TYPE) suit FYNSPRAY PUMPS	12.00	13.20	S
WS 37/10	GASKET	10.00	11.00	S
WS 37/11	SCREWS, BACKING PLATE	2.00	2.20	S

## PULLEYS

PART NUMBER	DESCRIPTION	LIST PRICE	PRICE INC GST
PLY 5-5/8	PULLEY 5" x 5/8" BORE	60.00	66.00
PLY 5-5/8C	PULLEY 5" x 5/8" BORE, COUNTERBORED suit DOG CLUTCH	75.00	82.50
PLY 5-17	PULLEY 5" DIA x 17mm BORE	60.00	66.00
PLY 6-17	PULLEY 6" DIA x 17mm BORE	60.00	66.00
PLY 6-5/8	PULLEY 6" DIA x 5/8" BORE	60.00	66.00
PLY 120-OF	PULLEY DISHED 17MM BORE suit JOHNSON F5 B8	75.00	82.50
PLY-MERC	PULLEY, SUIT MERCUISER BRASS BODY PUMP 6PK BELT	100.00	110.00

## VEE BELTS

Refer to Applicable Engine Spare Parts Section for sizes and part numbers.



# KINCAID MARINE ROLCO

Phone: (03) 9308 0922 Mobile: 0428 627 463  
 Email: orders@kmrolco.com Website: www.kmrolco.com

## IMPELLERS

PART NUMBER	DESCRIPTION	LIST PRICE	PRICE INC GST	DISC	
<b>FYNSPRAY</b>					
WB 77B	IMPELLER, 3/8" PLAIN BEARING, 2 PINS	63.00	69.30	S	
WB 78C	IMPELLER, 1/2" PLAIN BEARING, KEY (Interchanges with 4568-0001 JABSCO)	63.00	69.30	S	
WB 79B	IMPELLER, 3/4" PLAIN BEARING PUMP, KEY (Interchanges with 4598-0001/ JD 3/4" PUMP)	63.00	69.30	S	
WB 2674	IMPELLER, suit 1/2" & 3/4" BALL BEARING PUMPS (DOUBLE FLAT)	104.70	115.17	S	
<b>JABSCO</b>					
18673-0001	IMPELLER, 3/8" JABSCO PLAIN BEARING, PIN	63.00	69.30	S	
4568-0001	IMPELLER, 1/2" PLAIN BEARING, KEY (Interchanges with WB 78c / 1/2" FYNSPRAY PUMP)	67.00	73.70	S	
4598-0001	IMPELLER, JD 3/4" (Interchanges with WB 79B / 3/4" FYNSPRAY PUMP) RECOMMENDED FOR USE IN ARGO CAMSHAFT DRIVE PUMPS	109.09	119.99	S	
1210-0001	IMPELLER, 1/2" BALL BEARING PUMP, SPLINE (Interchanges with 1027B JOHNSON)	63.00	69.30	S	
<b>JOHNSON</b>					
1027B	IMPELLER, 3/4" BALL BEARING PUMP, SPLINE (Interchanges with 1210-0001 JABSCO)	63.00	69.30	S	
<b>MERCUISER</b>					
47 59362T 1	IMPELLER ONLY	90.00	99.00	S	
46 807151A14	IMPELLER & PUMP BODY KIT	230.00	253.00	S	
47 862232A 2	IMPELLER ONLY suit BRASS BODY PUMP DOUBLE FLAT	90.00	99.00	S	
<b>INDMAR/MALIBU/MASTERCRAFT/SUPRA/GEN III</b>					
09-812B	IMPELLER suit F6B-9 INDMAR/MALIBU, GEN III SPLINE	95.00	104.50	S	
<b>NEOVANE</b>					
NEO-S	TAPERED IMPELLER with PIN, SMALL PUMPS V-505 / V-755 / H-500 / V-750	suit SMALL BLOCK	110.00	121.00	S
NEO-L	TAPERED IMPELLER with PIN, LARGE PUMPS V-105	suit BIG BLOCK	120.00	132.00	S



# KINCAID MARINE ROLCO

Phone: (03) 9308 0922 Mobile: 0428 627 463  
 Email: orders@kmrolco.com Website: www.kmrolco.com

## SUMP DRAIN & TAP

PART NUMBER	DESCRIPTION	LIST PRICE	PRICE INC GST	DISC
SDT 1	SUMP DRAIN TAP 1/2" UNF suit EARLY CHEV & HOLDEN V8	49.00	53.90	
SDT 2	SUMP DRAIN TAP 12mm METRIC suit V6, CHEV VORTEC, GEN III	49.00	53.90	
SP 250	SUMP PUMP (PERMANENTLY MOUNTED) CHROME	120.00	132.00	S
OPA 18	OIL PRESSURE ADAPTOR 1/8" suit S/B CHEV	15.00	16.50	

## PLUMBING FITTINGS

PART NUMBER	DESCRIPTION	QTY	LIST PRICE	PRICE INC GST
<b>SKIN FITTINGS</b>				
SF 2P	SKIN FITTING 1/2"m x 3/4"h CHROME		25.00	27.50
<b>HEATER HOSE &amp; CLAMPS</b>				
RH 12M	HOSE 1/2" BLACK RUBBER	P/M	7.50	8.25
RH 19M	HOSE 3/4" CLEAR WIRE REINFORCED	P/M	15.00	16.50
RH 32M	HOSE 1 1/4" CLEAR WIRE REINFORCED	P/M	18.00	19.80
HC 010	1/2" HOSE CLAMPS suit RH 12M SS		2.50	2.75
HC 016	3/4" HOSE CLAMPS suit RH 19M SS		3.00	3.30
<b>HOSE BARBS - STRAIGHT</b>				
HM 7	BARB 1/4"m x 5/16"h BRASS		5.00	5.50
HM 8	BARB 1/4"m x 3/8"h BRASS		5.00	5.50
HM 9	BARB 1/4"m x 1/2"h BRASS		6.00	6.60
HM 9P	BARB 1/4"m x 1/2"h CHROME		7.00	7.70
HM 12	BARB 3/8"m x 5/16"h BRASS		6.00	6.60
HM 13	BARB 3/8"m x 3/8"h BRASS		7.00	7.70
HM 13P	BARB 3/8"m x 3/8"h CHROME		8.00	8.80
HM 14P	BARB 3/8"m x 1/2"h CHROME		8.00	8.80
HM 19P	BARB 1/2"m x 3/8"h CHROME		9.00	9.90
HM 20P	BARB 1/2"m x 1/2"h CHROME		9.00	9.90
HM 21P	BARB 1/2"m x 5/8"h CHROME		10.00	11.00
HM 22P	BARB 1/2"m x 3/4"h CHROME		11.00	12.10
HM 23P	BARB 3/4"m x 1/2"h CHROME		11.00	12.10
HM 25P	BARB 3/4"m x 3/4"h CHROME		13.00	14.30
HM 26P	BARB 3/4"m x 1" CHROME		15.00	16.50
<b>ELBOWS - 90°</b>				
HEM 11	ELBOW 1/4"m x 5/16"h BRASS		8.00	8.80
HEM 12	ELBOW 1/4"m x 3/8"h BRASS		8.00	8.80
HEM 1	ELBOW 1/4"m x 1/2"h BRASS		8.00	8.80
HEM 1P	ELBOW 1/4"m x 1/2"h CHROME		9.00	9.90
HEM 1.5	ELBOW 3/8"m x 5/16"h BRASS		8.00	8.80
HEM 2	ELBOW 3/8"m x 3/8"h BRASS		8.00	8.80
HEM 3P	ELBOW 3/8"m x 1/2"h CHROME		11.00	12.10
HEM 5P	ELBOW 1/2"m x 1/2"h CHROME		25.00	27.50
HEM 6P	ELBOW 1/2"m x 5/8"h CHROME		13.00	14.30
HEM 7P	ELBOW 1/2"m x 3/4"h CHROME		13.00	14.30
HEM 8P	ELBOW 3/4"m x 1/2"h CHROME		15.00	16.50
HEM 10P	ELBOW 3/4"m x 3/4"h CHROME		19.00	20.90
HEM 11P	ELBOW 3/4"m x 1" CHROME		22.00	24.20





# KINCAID MARINE ROLCO

Phone: (03) 9308 0922 Mobile: 0428 627 463  
 Email: orders@kmrolco.com Website: www.kmrolco.com

## PLUMBING FITTINGS

PART NUMBER	DESCRIPTION	LIST PRICE	PRICE INC GST
<b>TEES (PUMP)</b>			
PT 1P	TEE ½"h x ½"h x ½"m, SHORT suit ½" 6490-2901 JABSCO PUMP	CHROME 20.00	22.00
PT 2P	TEE ½"h x ½"h x ¾"m, SHORT suit ¾" F5 B8 JOHNSON PUMP	CHROME 20.00	22.00
PT 4P	TEE ½"h x ½"h x ¾"m x 120°, LONG suit DOG CLUTCH, ¾" PLAIN BEARING PUMP	CHROME 35.00	38.50
<b>THERMO CONTROL 90° TEES</b>			
HT 6P	½"h x ½"h x ½"m x 90° suit WATER INLET PLATES with THERMO CONTROL	CHROME 20.00	22.00
<b>TEES (3 WAY HOSE)</b>			
HT 0	TEE ¾"h x ¾"h x ¾"h	BRASS 15.00	16.50
HT 1P	TEE ½"h x ½"h x ½"m	CHROME 18.00	19.80
HT 2	TEE ¾"h x ¾"h x ¾"h	BRASS 20.00	22.00
<b>HEX PLUGS</b>			
HP 1	PLUG ⅛"m	BRASS 3.00	3.30
HP 1P	PLUG ⅛"m	CHROME 4.00	4.40
HP 2	PLUG ¼"m	BRASS 4.00	4.40
HP 2P	PLUG ¼"m	CHROME 5.00	5.50
HP 3	PLUG ⅜"m	BRASS 6.00	6.60
HP 3P	PLUG ⅜"m	CHROME 7.00	7.70
HP 4	PLUG ½"m	BRASS 6.00	6.60
HP 4P	PLUG ½"m	CHROME 7.00	7.70
HP 5	PLUG ¾"m	BRASS 7.00	7.70
HP 5P	PLUG ¾"m	CHROME 8.00	8.80
<b>REDUCING BUSHES</b>			
BR	THESE ARE AVAILABLE IN ASSORTED SIZES FROM ¼" TO ¾"	P.O.A.	P.O.A.

## Y PIECES

PART NUMBER	DESCRIPTION	LIST PRICE	PRICE INC GST
YP 1	"Y" PIECE ¾" x ½" x ½" BRASS	25.00	27.50
YP 2	"Y" PIECE ¾" x ¾" x ¾" BRASS	30.00	33.00

## WATER PICKUPS

PART NUMBER	DESCRIPTION	LIST PRICE	PRICE INC GST
WS 2	WATER PICKUP (Includes Elbow & Hose Barb) suit ¾" HOSE SS	75.00	82.50
WS 5	WATER PICKUP 1¼" suit MERCURISER & INDMAR SS	110.00	121.00
WS 6	WATER PICKUP ¾" HIGH PERFORMANCE, 3 BOLT BRASS	38.00	41.80
WS 7	WATER PICKUP, CAV PLATE MOUNT, suit -10 HOSE SS	350.00	385.00



# KINCAID MARINE ROLCO

Phone: (03) 9308 0922 Mobile: 0428 627 463  
 Email: orders@kmrolco.com Website: www.kmrolco.com

## SKEGS

PART NUMBER	DESCRIPTION	LIST PRICE	PRICE INC GST
<b>KINCAID 4 BOLT SKEGS</b>			
S 7¼-155-4K	SKEG 7¾° 155mm DROP 4 BOLT	250.00	275.00
S 9 -155-4K	SKEG 9° 155mm DROP 4 BOLT	250.00	275.00
S 12 -158-4K	SKEG 12° 158mm DROP 4 BOLT	250.00	275.00
S 14 -160-4K	SKEG 14° 160mm DROP 4 BOLT	250.00	275.00
S 14S-143-4K	SKEG 14°S 143mm DROP 4 BOLT	250.00	275.00
S 15 -163-4K	SKEG 15° 163mm DROP 4 BOLT	250.00	275.00
S 18 -160-4K	SKEG 18° 160mm DROP 4 BOLT	250.00	275.00
<b>KINCAID 6 BOLT SKEGS</b>			
S 12 -150-6K	SKEG 12° 150mm DROP 6 BOLT	250.00	275.00
S 12 -162-6K	SKEG 12° 162mm DROP 6 BOLT	250.00	275.00
S 14 -163-6K	SKEG 14° 163mm DROP 6 BOLT	250.00	275.00
S 15 -150-6K	SKEG 15° 150mm DROP 6 BOLT	250.00	275.00
<b>ROLCO SKEGS</b>			
S 14 -145	SKEG 14° 145mm DROP 4 BOLT	250.00	275.00
S 14 -156	SKEG 14° 156mm DROP 4 BOLT	250.00	275.00
S 15 -145	SKEG 15° 145mm DROP 4 BOLT	250.00	275.00
S 15 -156	SKEG 15° 156mm DROP 4 BOLT	250.00	275.00
S 17 -145	SKEG 17° 145mm DROP 4 BOLT	250.00	275.00
S 17 -156	SKEG 17° 156mm DROP 4 BOLT	250.00	275.00
<b>EARLY ROLCO SKEGS</b>			
S 3	SKEG 15° 159mm DROP 4 BOLT	250.00	275.00
S 4	SKEG 12° 162mm DROP 4 BOLT	250.00	275.00
S 5	SKEG 9° 165mm DROP 4 BOLT	250.00	275.00
S 6	SKEG INTERMEDIATE (WHIP)	70.00	77.00
<b>FLIGHTCRAFT SKEGS</b>			
S 15 -FC	SKEG 15° FLIGHTCRAFT 4 BOLT	250.00	275.00
S 17 -FC	SKEG 17° FLIGHTCRAFT 4 BOLT (XLT)	250.00	275.00
S 17 -FC6	SKEG 17° FLIGHTCRAFT 6 BOLT (XLT)	350.00	385.00
<b>EASYFIT SKEGS</b>			
S 14 -EF	SKEG 14° - 18° EASY FIT suit STEJCRAFT / SKICRAFT 2 BOLT	250.00	275.00
<b>EMCO SKEGS</b>			
S 9	SKEG 9° mm DROP 4 BOLT	250.00	275.00
S 12	SKEG 12° mm DROP 4 BOLT	250.00	275.00
S 14	SKEG 14° mm DROP 4 BOLT	250.00	275.00
S 15	SKEG 15° mm DROP 4 BOLT	250.00	275.00
S 16	SKEG 16° mm DROP 4 BOLT suit CAMERO PINTARA AND LEWIS	250.00	275.00
S 17	SKEG 17° mm DROP 4 BOLT suit SLEEKLINE	250.00	275.00
S 18	SKEG 18° mm DROP 4 BOLT suit HALLETT AND STEJCRAFT	250.00	275.00
<b>CAMERO LEGEND SKEG</b>			
SCLS	SKEG suit CAMERO LEGEND	250.00	275.00
<b>RACE SKEGS</b>			
S 9 -SUP-6	SKEG 9° SUPERSTON, HEAVY DUTY, RACE, 6 BOLT	500.00	550.00
<b>6 BOLT SKEGS</b>			
S-ROL-6-1	SKEG 14° - 18° 1" 6 BOLT FITTED WITH NITRILE RUBBER BUSH suit ROLCO EVOLUTION	350.00	385.00
S-ROL-6-1½	SKEG 14° - 18° 1½" 6 BOLT FITTED WITH NITRILE RUBBER BUSH suit ROLCO TSUNAMI Can custom machine to suit most USA boats	450.00	495.00

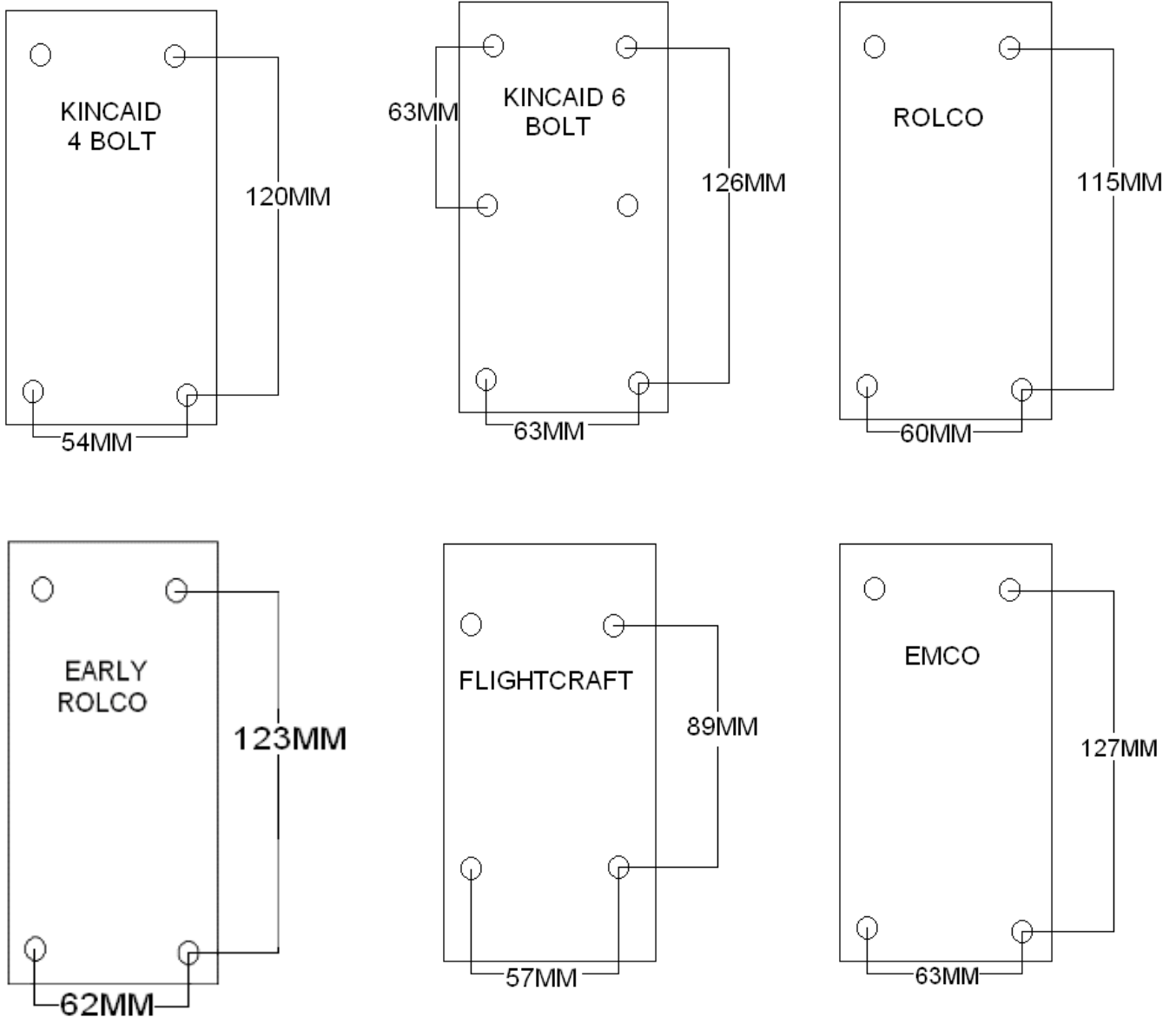
**SEE THE NEXT PAGE FOR BOLT PATTERNS FOR ABOVE SKEGS**

**WE HAVE A FEW MORE MISCELLANEOUS SKEGS AVAILABLE, PLEASE FAX YOUR DIMENSIONS ON OUR SKEG ORDER FORM**



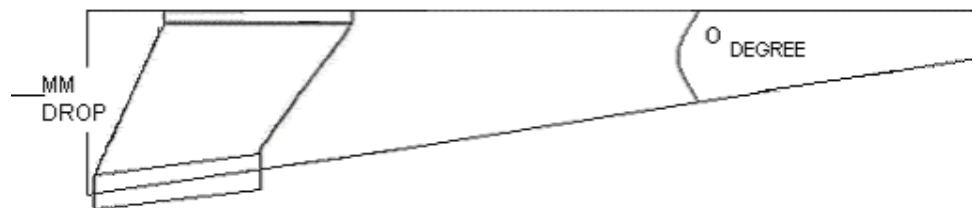
# KINCAID MARINE ROLCO

Phone: (03) 9308 0922 Mobile: 0428 627 463  
Email: orders@kmrolco.com Website: www.kmrolco.com



**NOTE: ALL MEASUREMENTS ARE TAKEN FROM HOLE CENTRES**

□ 1" or □ 7/8"  
DIA SHAFT



**DROP IS MEASURED AT PROP END FROM CENTRE OF PROPSHAFT TO MACHINED TOP FACE OF SKEG.**



# KINCAID MARINE ROLCO

Phone: (03) 9308 0922 Mobile: 0428 627 463  
 Email: orders@kmrolco.com Website: www.kmrolco.com

## SKEG BUSHES

PART NUMBER	DESCRIPTION	LIST PRICE	PRICE INC GST	DISC
SB 1	SKEG BUSH 1" ID x 1¼" OD x 4" L	30.00	33.00	S
SB 1V	SKEG BUSH 1" ID x 1¼" OD x 4" L VESCONITE LONG LIFE	110.00	121.00	S
SB 2	SKEG BUSH 1" ID x 1¼" OD x 16" L	95.00	104.50	S
SB 4	SKEG BUSH 7⁄8" ID x 1¼" OD x 4" L	45.00	49.50	S
SB 7	SKEG BUSH 7⁄8" ID x 1½" OD x 4" L	45.00	49.50	S
SB 9	SKEG BUSH 1½" ID x 1¾" OD x 4" L	45.00	49.50	S
SB 9-16	SKEG BUSH 1½" ID x 1¾" OD x 16" L	140.00	154.00	S
SB 9S	SKEG BUSH 1½" ID x 1¾" OD x 5½" L suit SKICRAFT	110.00	121.00	S
SB 10	SKEG BUSH 1" ID x 1¼" OD x 4" L SILVERLINE BEARING	110.00	121.00	S
SB 12	SKEG BUSH 1½" ID x 1½" OD x 5" L SILVERLINE BEARING suits MOST IMPORTED USA BOATS e.g. MALIBU, TIGE, MASTERCRAFT, NAUTIQUE, CENTURION	145.00	159.50	S

## FINS

PART NUMBER	DESCRIPTION	LIST PRICE	PRICE INC GST
F 1	FIN, SMALL, 4 BOLT BRONZE	120.00	132.00
F 3	FIN, LARGE, 6 BOLT BRONZE	140.00	154.00
F 2E	FIN, MEDIUM, EZY FIT, 2 STUDS ALUMINIUM	80.00	88.00
F 3E	FIN, LARGE, EZY FIT, 2 STUDS ALUMINIUM	90.00	99.00



# KINCAID MARINE ROLCO

Phone: (03) 9308 0922 Mobile: 0428 627 463  
 Email: orders@kmrolco.com Website: www.kmrolco.com

## PROPELLERS

PART NUMBER	DESCRIPTION	LIST PRICE	PRICE INC GST	DISC
AP 3B	AUSTRAL 3 BLADE (UP TO 12" DIAMETER)	POA	POA	S
AP 4B	AUSTRAL 4 BLADE (UP TO 12" DIAMETER)	POA	POA	S
AP 4B-13	AUSTRAL 4 BLADE (UP TO 13" DIAMETER)	POA	POA	S
	MORITZ & CASSELL	POA	POA	S
OJ	OJ PROPELLER	POA	POA	S
ACME	ACME CNC PROPELLER	POA	POA	S
MP 2B	MENKINS 2 BLADE RACE PROP	POA	POA	S

## PROPELLER SHAFTS

PART NUMBER	DESCRIPTION	LIST PRICE	PRICE INC GST
	<b>CAN CUT PROP SHAFTS TO ANY LENGTH</b>		
PS 48	PROPELLER SHAFT 48" x 1"	175.00	192.50
PS 54	PROPELLER SHAFT 54" x 1"	186.00	204.60
PS 60	PROPELLER SHAFT 60" x 1"	197.00	216.70
PS 66	PROPELLER SHAFT 66" x 1"	208.00	228.80
PS 72	PROPELLER SHAFT 72" x 1"	219.00	240.90
PS 78	PROPELLER SHAFT 78" x 1"	230.00	253.00
PS 84	PROPELLER SHAFT 84" x 1"	252.00	277.20
PS 96	PROPELLER SHAFT 96" x 1"	275.00	302.50
PS 630	630 GRADE STAINLESS STEEL SHAFT 1" DIA	POA	POA
PS A22	AQUAMETT 22 STEEL SHAFT x 1"	POA	POA
PS MON	MONEL K 500 1" PROPELLER SHAFT	POA	POA
PS 1½	1½" PROPELLER SHAFTS	275.00	302.50
PS 48 ⅞	PROPELLER SHAFT 48" x ⅞"	195.00	214.50
PS 60 ⅞	PROPELLER SHAFT 60" x ⅞"	250.00	275.00
KEY PS	KEY & NOTCH SHAFT (THIS INCLUDES CUTTING TO ANY LENGTH)	50.00	55.00

## SAFETY COLLARS (CHROME)

PART NUMBER	DESCRIPTION	LIST PRICE	PRICE INC GST
SC 1 S	SAFETY COLLAR, SPLIT 1" CHROME	39.00	42.90
SC 1½ S	SAFETY COLLAR, SPLIT 1½" CHROME	39.00	42.90
SC 1¼ S	SAFETY COLLAR, SPILT 1¼" CHROME	45.00	49.50
SC ⅞ S	SAFETY COLLAR, SPILT ⅞" CHROME	39.00	42.90

## PROP NUTS & KEYS

PART NUMBER	DESCRIPTION	LIST PRICE	PRICE INC GST
NN ¾B	NYLOC NUT ¾" UNC BRASS suit 1" SHAFT	13.00	14.30
NN ⅝B	NYLOC NUT ⅝" UNC BRASS suit ⅞" SHAFT	8.00	8.80
BK ¼	KEY BRASS ¼" x 2"	5.00	5.50
SK ¼	KEY STEEL ¼" x 2"	3.00	3.30

## PROPELLER PULLER

PART NUMBER	DESCRIPTION	LIST PRICE	PRICE INC GST
PP 140	PROPELLER PULLER - SUPERSTON suit 2, 3 & 4 BLADE PROPS	120.00	132.00



# KINCAID MARINE ROLCO

Phone: (03) 9308 0922 Mobile: 0428 627 463  
 Email: orders@kmrolco.com Website: www.kmrolco.com

## LOG & GLAND EQUIPMENT

### LOG ASSEMBLIES

PART NUMBER	DESCRIPTION	LIST PRICE	PRICE INC GST
LB-ASS-M	LOG ASSEMBLY 14° - 19° (1"), MID MOUNT specify degree	104.50	114.95
LB-ASS-V	LOG ASSEMBLY 9° - 12° (1"), V-DRIVE specify degree	142.50	156.75
LB-ASS-M1½	LOG ASSEMBLY 14° - 19° (1½"), MID MOUNT specify degree	108.00	118.80
LB-ASS-V1½	LOG ASSEMBLY 9° - 12° (1½"), V-DRIVE specify degree	146.00	160.60

### LOG GLANDS

PART NUMBER	DESCRIPTION	LIST PRICE	PRICE INC GST
LG 1	LOG GLAND 1"	49.50	54.45
LG 2	LOG GLAND 7/8"	53.00	58.30
LG 3	LOG GLAND 1 1/8" x 1 3/4" OD	53.00	58.30
LG 4	LOG GLAND 1 1/8" x 2" OD, suit SKI CRAFT	70.00	77.00
LG 5	LOG GLAND 1 1/8" x 1 3/4" OD, suit MOST USA BOATS with ADJUSTABLE GLAND PACKING	145.00	159.50
LG 1-RACE	LOG GLAND WATERCOOLED, RACE, 1"	200.00	220.00
LG 1½-RACE	LOG GLAND WATERCOOLED, RACE, 1½"	220.00	242.00

### LOG BASES

PART NUMBER	DESCRIPTION	LIST PRICE	PRICE INC GST
LB 9	LOG BASE 9° (ROLCO) BASE IS 385mm LONG AL	80.00	88.00
LB 9-K	LOG BASE 9° (KINCAID) BASE IS 420mm LONG AL	80.00	88.00
LBS 9-K	LOG BASE 9° WITH STEADY AL	120.00	132.00
LB 12	LOG BASE 12° AL	80.00	88.00
LB 14	LOG BASE 14° AL	42.00	46.20
LB 15	LOG BASE 15° AL	42.00	46.20
LB 15-K	LOG BASE 15° AL	42.00	46.20
LB 17	LOG BASE 17° AL	42.00	46.20
LB 18-K	LOG BASE 18° AL	61.00	67.10
LB 19	LOG BASE 19° AL	42.00	46.20
LMF-1	LOG MOUNTING FLANGE BRASS	49.00	53.90

### LOG SPARE PARTS

PART NUMBER	DESCRIPTION	LIST PRICE	PRICE INC GST
L 27	SEAL 7/8" ID x 1 3/8" OD x 1/4" suit 7/8" LOG GLANDS	7.00	7.70
L 40-K	SEAL 1" ID x 1 3/8" OD x 1/4" suit KINCAID & ROLCO	7.00	7.70
L 41-T	SEAL 1" ID x 1 1/2" OD x 1/4" suit EMCO & TAWCO	7.00	7.70
L 42-K	HOSE suit LOG GLAND	7.00	7.70
L 43-K	HOSE CLAMP suit LOG GLAND SS	3.00	3.30
L 45-K	REMOTE GREASING KIT suit LOG GLAND	30.00	33.00



# KINCAID MARINE ROLCO

Phone: (03) 9308 0922 Mobile: 0428 627 463  
 Email: orders@kmrolco.com Website: www.kmrolco.com

## RUDDERS

PART NUMBER	DESCRIPTION	LIST PRICE	PRICE INC GST
R 1	RUDDER LARGE 1" SHAFT	350.00	385.00
R 1A	RUDDER LARGE 7/8" SHAFT	350.00	385.00
R 2	RUDDER MEDIUM 1" SHAFT	330.00	363.00
R 2A	RUDDER MEDIUM 7/8" SHAFT	330.00	363.00
R 6	RUDDER MEDIUM 1" SHAFT	330.00	363.00
R 6A	RUDDER MEDIUM 7/8" SHAFT	330.00	363.00
R 7	RUDDER EX LARGE 1" SHAFT TOURNAMENT	370.00	407.00
R 10-S	RUDDER, RACE – 1 PIECE SUPERSTON suit STEPHENS AVAILABLE IN 1" & 1 1/8" SHAFT SIZES	1,000.00	1,100.00
R 10-W	RUDDER, RACE – 1 PIECE SUPERSTON, LAYBACK DESIGN suit WOODEN BOATS AVAILABLE IN 1" & 1 1/8" SHAFT SIZES	1,000.00	1,100.00
SLOT R	SLOT RUDDER FOR TILLER ARM	50.00	55.00
KEY R	MACHINE KEY WAY IN RUDDER	100.00	110.00

## RUDDERS SAFETY COLLARS

PART NUMBER	DESCRIPTION	LIST PRICE	PRICE INC GST
RC 1	COLLAR, RUDDER CHROME 1"	25.00	27.50
RC 2	COLLAR, RUDDER CHROME 7/8"	30.00	33.00

## RUDDER BEARINGS

PART NUMBER	DESCRIPTION	LIST PRICE	PRICE INC GST
RB 4-1	BEARING - SELF ALIGNING RUDDER 1"	95.00	104.50
RB 4-7/8	BEARING - SELF ALIGNING RUDDER 7/8"	95.00	104.50
RB 4-1 1/8	BEARING - SELF ALIGNING RUDDER 1 1/8"	95.00	104.50

## RUDDER GLANDS

PART NUMBER	DESCRIPTION	LIST PRICE	PRICE INC GST
RB 5	RUDDER GLAND, EXTERNAL, ROUND 1"	150.00	165.00
RB 7-1	RUDDER GLAND, INTERNAL, SQUARE suit RACE BOATS 1"	150.00	165.00
RB 7-1 1/8	RUDDER GLAND, INTERNAL, SQUARE suit RACE BOATS 1 1/8"	150.00	165.00

## RUDDER BUSHES

PART NUMBER	DESCRIPTION	LIST PRICE	PRICE INC GST
DB 1	RUDDER BUSH 7/8" ID x 1 1/8" OD	10.00	11.00
DB 2	RUDDER BUSH 1" ID x 1 1/8" OD	10.00	11.00
DB 3	RUDDER BUSH 7/8" ID x 1" OD	10.00	11.00
DB 4	RUDDER BUSH 1" SELF ALIGNING suit RB 4-1	15.00	16.50
DB 5	RUDDER BUSH 1" ID x 1 1/4" OD	10.00	11.00
DB 6	RUDDER BUSH 7/8" SELF ALIGNING suit RB 4-7/8"	15.00	16.50
DB 7	RUDDER BUSH 1 1/8" SELF ALIGNING suit RB 4-1 1/8"	15.00	16.50



# KINCAID MARINE ROLCO

Phone: (03) 9308 0922 Mobile: 0428 627 463  
 Email: orders@kmrolco.com Website: www.kmrolco.com

## TILLER BOXES

PART NUMBER	DESCRIPTION	LIST PRICE	PRICE INC GST
TB 8S	TILLER BOX, SMALL - 8° suit SLEEKLINE SPORTZ & PURSUIT	250.00	275.00
TB 12S	TILLER BOX, SMALL - 12° suit HALLET	250.00	275.00
TB 16L	TILLER BOX, LARGE - 16° suit SALEM	250.00	275.00
TB 90L	TILLER BOX, LARGE - 90° suit GILFLITE, STEPHENS, SKILINE	250.00	275.00
TB 90S	TILLER BOX, SMALL - 90°	250.00	275.00

## QUADRANT & "A" BRACKET

PART NUMBER	DESCRIPTION	LIST PRICE	PRICE INC GST
RQ 1	QUADRANT 1", 7/8" or 1 1/8" CHROME	220.00	242.00
RA 1	A BRACKET 1" or 7/8" CHROME	195.00	214.50

## TILLER ARMS

PART NUMBER	DESCRIPTION	LIST PRICE	PRICE INC GST
R 7TS	TILLER ARM 1" or 7/8" x 5" REAR BOLT	75.00	82.50
R 9TL	TILLER ARM 1" or 7/8" x 6" REAR BOLT	75.00	82.50
R 8TL	TILLER ARM 1" or 7/8" x 7" FRONT BOLT	75.00	82.50
R 9TEL	TILLER ARM 1" or 7/8" x 8" REAR BOLT	75.00	82.50
R 9T-11/8		95.00	104.50

## CAVITATION PLATES & SPARE PARTS

PART NUMBER	DESCRIPTION	LIST PRICE	PRICE INC GST
CP 8	CAV PLATE, 10mm FLAT (HALLETT, SLEEKLINE, SKILINE)	150.00	165.00
	CAV PLATES MADE TO ORDER	P.O.A.	P.O.A.
CA 55	ADJUSTORS, CAV PLATE, SWIVEL ENDS 5 1/2" SHAFT CP	250.00	275.00
CA 85	ADJUSTORS, CAV PLATE, SWIVEL ENDS 8 1/2" SHAFT CP	250.00	275.00
CAS 1	NUT - CAV ADJUSTOR, R/H or L/H 1/2" UNF	12.00	13.20
CAS 2	PIVOT BLOCK - CAV ADJUSTOR	35.00	38.50
CAS 3	BASE - CAV ADJUSTOR	50.00	55.00
CAS 4	PIVOT PIN - CAV ADJUSTOR	9.00	9.90
CAS 5	CIRCLIP - CAV ADJUSTOR PIVOT PIN	3.00	3.30
CAS 6	SHAFT - CAV ADJUSTOR 1/2" UNF	45.00	49.50
CAV-FO6R	FOOT OVERRIDE CAV SYSTEM, 6 ROD, COMPLETE ASSEMBLY less CAV PLATES suit RACE BOATS	2,955.00	3,294.50
	T-BAR ONLY - CAV SPRING KIT		
	FOOT PADAL ONLY - CAV SF-90 OR ANGLED		





# KINCAID MARINE ROLCO

Phone: (03) 9308 0922 Mobile: 0428 627 463  
 Email: orders@kmrolco.com Website: www.kmrolco.com

## STEERING

PART NUMBER	DESCRIPTION	LIST PRICE	PRICE INC GST
STEER	MORSE / TELEFLEX STEERING KITS & PARTS	P.O.A.	P.O.A.

## HIGH PERFORMANCE STEERING

PART NUMBER	DESCRIPTION	LIST PRICE	PRICE INC GST
STEER-HP	HIGH PERFORMANCE STEERING, CHAIN AND SPROCKET, OUTSIDE BEARER, COMPLETE INSTALLATION LESS STEERING WHEEL	995.00	1,094.50

## STEERING WHEELS

PART NUMBER	DESCRIPTION	LIST PRICE	PRICE INC GST	DISC
SWC	COVICO, DEEP or SHALLOW – BLACK, BLUE or RED 3 BOLT RACE	250.00	275.00	S
SWM	MORSE (different styles available)	P.O.A	P.O.A	S
SWA	STEERING WHEEL LEATHER WRAP, 6 BOLT	250.00	275.00	S
SW BOSS	BOSS KIT, 6 BOLT	50.00	55.00	S

## STEERING SPARE PARTS

PART NUMBER	DESCRIPTION	QTY	LIST PRICE	PRICE INC GST	DISC
290710	NYLON BALL HALVES	EACH	35.00	38.50	S
CO 833	3/8" BALL JOINT		45.00	49.50	S
SCA-5M	CABLE 5mm SS	P/M	8.00	8.80	S
SCA-CL	CABLE CLAMPS, SPLIT 5mm SS		12.00	13.20	S
SCA-DS	D-SHAKLES SS		12.00	13.20	S
SCA-TH	THIMBLES SS		5.00	5.50	S
SCA-TU	TURNBUCKLE SS		35.00	38.50	S
SCA-SP	SINGLE PULLEY, BLOCK (NYLON)		35.00	38.50	S
SCA-DP	DOUBLE PULLEY, BLOCK (NYLON)		35.00	38.50	S
SCA-HP	HOODED PULLEY, BLOCK (NYLON)	PAIR	150.00	165.00	S
SCA-PS	PULLEY SADDLE SS		6.00	6.60	S

## STEERING COLUMN ASSEMBLIES

PART NUMBER	DESCRIPTION	LIST PRICE	PRICE INC GST
SC 35-M	STAZO-MORSE – 3" STEERING COLUMN ASSEMBLY	295.00	324.50
SC 3-I	3" INBOARD STEERING COLUMN ASSEMBLY	275.00	302.50
SC 6-I	6" INBOARD STEERING COLUMN ASSEMBLY	325.00	357.50
SC 9-I	9" INBOARD STEERING COLUMN ASSEMBLY	350.00	385.00
SC 12-I	12" INBOARD BILLET STEERING COLUMN ASSEMBLY	500.00	550.00
SC 3-O	3" OUTBOARD STEERING COLUMN ASSEMBLY	295.00	324.50
SC 6-O	6" OUTBOARD STEERING COLUMN ASSEMBLY	325.00	357.50
SC 9-O	9" OUTBOARD STEERING COLUMN ASSEMBLY	350.00	385.00
SC 12-O	12" OUTBOARD BILLET STEERING COLUMN ASSEMBLY	500.00	550.00
SW-AD	ADAPTOR, STEERING WHEEL, 3 BOLT, CHROME	50.00	55.00
SW-HB	HORN BUTTON, STEERING WHEEL, BILLET	45.00	49.50
SCOH	HUB ONLY, STEERING suit OUTBOARD (LARGE)	95.00	104.50
SCIH	HUB ONLY, STEERING suit INBOARD (SMALL)	75.00	82.50



# KINCAID MARINE ROLCO

Phone: (03) 9308 0922 Mobile: 0428 627 463  
 Email: orders@kmrolco.com Website: www.kmrolco.com

## PEDALS, CABLES & ACCESSORIES (ACCELERATOR)

PART NUMBER	DESCRIPTION			LIST PRICE	PRICE INC GST	DISC
<b>OFFSET PEDALS (ACCELERATOR)</b>						
FP 35-9	FOOT PEDAL	OFFSET 9"	FLOOR MOUNT	95.00	104.50	
FP 35-12	FOOT PEDAL	OFFSET 12"	FLOOR MOUNT	95.00	104.50	
FP 35-16	FOOT PEDAL	OFFSET 16"	FLOOR MOUNT	95.00	104.50	
<b>STANDARD PEDALS</b>						
FP 5-R	FOOT PEDAL	R/H,	STANDARD NO OFFSET-FLOOR MOUNT	95.00	104.50	
FP 5-L	FOOT PEDAL	L/H,	STANDARD NO OFFSET-FLOOR MOUNT	95.00	104.50	
<b>OUTBOARD PEDALS</b>						
FP 10	FOOT PEDAL	FLOOR MOUNT, OUTBOARD suit MERC CABLE		150.00	165.00	
FP 20	FOOT PEDAL	FLOOR MOUNT, OUTBOARD suit OMC CABLE		150.00	165.00	
FP 15/30	FOOT PEDAL	FLOOR MOUNT, PUSH/PULL suit MORSE CABLE		150.00	165.00	
<b>COMPETITION PEDALS</b>						
FP-BMH	COMPETITION PEDAL, BEARER MOUNT-PUSH			250.00	275.00	
FP-BML	COMPETITION PEDAL, BEARER MOUNT-PULL			250.00	275.00	
FP-FMH	COMPETITION PEDAL, FLOOR MOUNT-PUSH			250.00	275.00	
FP-OBS	OBSERVER PEDALS ONLY, PAIR			150.00	165.00	
<b>MISCELLANEOUS PEDALS</b>						
FP 40	FOOT PEDAL BOTTOM PUSH FLOOR MOUNT suit MORSE CABLE			150.00	165.00	
<b>PEDAL SPARE PARTS</b>						
FPS 1	FOOT PEDAL SPRING			15.00	16.50	
<b>CABLES AND ACCESSORIES</b>						
M33C-300	ACCELERATOR CABLE - 3 METRE FOR EVERY EXTRA METRE ADD \$5.00 P/M			45.00	49.50	S
31799	BALL JOINT	3/16"	MALE STUD	30.00	33.00	S
31126	BALL JOINT	1/4"	MALE STUD	15.00	16.50	S
31804	CLAMP & SHIM			7.00	7.70	S
36174	CABLE BRACKET 90°			23.00	25.30	S
FP 16/14	MORSE CABLE MOUNT	suit QUAD/HOLLY CARBY BOLTS TO CARBY MOUNTING BOLTS		30.00	33.00	
350-1AB	ACCELERATOR MOUNT BRACKET	suit Chev V8 BOLTS TO INTAKE MANIFOLD		29.00	31.90	



# KINCAID MARINE ROLCO

Phone: (03) 9308 0922 Mobile: 0428 627 463  
 Email: orders@kmrolco.com Website: www.kmrolco.com

## FUEL

PART NUMBER	DESCRIPTION	QTY	LIST PRICE	PRICE INC GST
<b>FUEL FILLERS</b>				
PF 1	PETROL FILLER 2" RAISED CHROME		80.00	88.00
PF 2	PETROL FILLER 2" FLUSH CHROME		80.00	88.00
PF 3	PETROL FILLER CAP ONLY suit RAISED CHROME		29.00	31.90
PF 4	PETROL FILLER CAP ONLY suit FLUSH CHROME		35.00	38.50
PF 5	PETROL FILLER 2" FLUSH PLASTIC		30.00	33.00
PF 6	PETROL FILLER 2" FLIP TOP AL		90.00	99.00
TF 1	SKI TOW/PETROL FILLER 2" DIA CHROME		250.00	275.00
TF 2	SKI TOW/PETROL FILLER CAP ONLY CHROME		90.00	99.00
<b>FUEL FILLER HOSE</b>				
FFH 38	FUEL FILLER HOSE 1½" x 6" LONG		20.00	22.00
FFH 50	FUEL FILLER HOSE 2" x 6" LONG		25.00	27.50
FFC	HOSE CLAMPS		3.50	3.85
<b>FUEL TANK BREATHER</b>				
FTB 1	BREATHER, FUEL TANK		30.00	33.00
<b>FUEL FILTERS</b>				
FFK 35	FUEL FILTER KIT, WATER SEPARATING		85.00	93.50
FFE 35	FUEL FILTER ELEMENT ONLY		25.00	27.50
FFM 35	FUEL FILTER MOUNT BRACKET		25.00	27.50
<b>FUEL HOSE &amp; CLAMPS</b>				
FH 8	FUEL HOSE 5/16"	P/M	10.00	11.00
FH 10	FUEL HOSE 3/8"	P/M	12.00	13.20
HC 008	HOSE CLAMPS	EACH	2.50	2.75



# KINCAID MARINE ROLCO

Phone: (03) 9308 0922 Mobile: 0428 627 463  
 Email: orders@kmrolco.com Website: www.kmrolco.com

## ELECTRICAL

PART NUMBER	DESCRIPTION	QTY	LIST PRICE	PRICE INC GST	DISC
<b>GAUGES, SENDER UNITS &amp; SPEEDO PITOTS</b>					
GK-1	GAUGE KIT, ROLCO, GPS SPEEDO, TACHO with DIGITAL HOUR METER, OIL PRESSURE, TEMPERATURE, VOLTS, FUEL, COMPLETE WITH SENDERS		750.00	825.00	S
FARIA	FULL RANGE OF FARIA GAUGES AND SENDERS AVAILABLE		POA		S
FT-S	FUEL TANK SENDER, SOLID STATE, STAINLESS STEEL		150.00	165.00	S
GPS-D	GPS SPEEDO, DIGITAL		300.00	330.00	S
GPS-A	GPS SPEEDO, ANOLOGUE		300.00	330.00	S
TACHO	TACHO, with DIGITAL HOUR METER		300.00	330.00	S
OIL	OIL PRESSURE		50.00	55.00	S
TEMP	TEMPERATURE		50.00	55.00	S
VOLT	VOLTS		50.00	55.00	S
FUEL	FUEL		50.00	55.00	S
SEND-O	OIL PRESSURE SENDER		80.00	88.00	S
SEND-T	TEMPERATURE SENDER		20.00	22.00	S
SPB 5	SPEEDO PITOT (THRU HULL)	BRASS	28.00	30.80	
SPP1	SPEEDO PITOT	PLASTIC	36.00	39.60	S
TH 1	TACHO HOUSING 86mm DIA POLISHED	AL	80.00	88.00	
TH 2	TACHO HOUSING 80mm DIA POLISHED	AL	80.00	88.00	
GH 1	GAUGE HOUSING 50mm POLISHED	AL	55.00	60.50	
<b>SWITCHES</b>					
IGNSW	IGNITION SWITCH		55.00	60.50	S
IGNLI	IGNITION LIGHT		15.00	16.50	S
BPSW1	SWITCH ON/OFF		15.00	16.50	S
KILSW	KILL SWITCH		50.00	55.00	S
BAT-1S	BATTERY ISOLATOR SWITCH		50.00	55.00	S
<b>BILGE PUMPS &amp; KITS</b>					
R500BP	BILGE PUMP		50.00	55.00	S
BPK1	BILGE PUMP KIT inc SWITCH, PUMP, HOSE & SKIN FITTING		85.00	93.50	S
BPHO	BILGE PUMP HOSE	P/M	8.00	8.80	S
<b>LOOMS</b>					
LOOM	COMPLETE WIRING LOOM		995.00	1094.50	

## BATTERY CARRIERS

PART NUMBER	DESCRIPTION	LIST PRICE	PRICE INC GST
BC 1	BATTERY CARRIER, 9"	40.00	44.00
BC 2	BATTERY CARRIER, 12"	48.00	52.80

**CALL FOR COMPETITIVE PRICING ON COMPLETE GAUGE AND SENDER KITS**



# KINCAID MARINE ROLCO

Phone: (03) 9308 0922 Mobile: 0428 627 463  
 Email: orders@kmrolco.com Website: www.kmrolco.com

## SKI-TOW EQUIPMENT

### SKI-TOWS / BOLLARDS

PART NUMBER	DESCRIPTION	LIST PRICE	PRICE INC GST	DISC
ST 1-K	SKI TOW - BOLLARD, POLISHED 3" AL	60.00	66.00	
ST 3-K	SKI TOW - BOLLARD, POLISHED 4" AL	80.00	88.00	
ST 4-K	SKI TOW - SS, TRANSOM MOUNT, LARGE	75.00	82.50	
ST 5-K	SKI TOW - SS, TRANSOM MOUNT, SMALL	75.00	82.50	
TF 1-K	SKI TOW/PETROL FILLER 2" DIA CHROME	250.00	275.00	
SH 1	SKI HOOK SS	30.00	33.00	S

## MIRRORS

PART NUMBER	DESCRIPTION	LIST PRICE	PRICE INC GST	DISC
SSM 150	MIRROR, MEDIUM COMP 11 150mm DASH OR SCREEN MOUNT	150.00	165.00	S
LSM 300	MIRROR, LARGE 300mm suits MBB and MBT BRKTS	250.00	275.00	S
MBB	BRACKET, MIRROR, BIMINI MOUNT	140.00	154.00	S
MBT	BRACKET, MIRROR, TOWER MOUNT	140.00	154.00	S

## SKI POLES & HIGH POLES

PART NUMBER	DESCRIPTION	LIST PRICE	PRICE INC GST	DISC
SP 34-K	SKI POLE, TOURNAMENT, SOLID BILLET, ALUMINIUM, POLISHED (POLE ONLY, NO BASE)	450.00	495.00	N
SPW1	WAKEBOARD HIGH POLE WITH BASE, 1 PIECE POLE 2½" DIA	772.73	850.00	N
SPW2	WAKEBOARD HIGH POLE ONLY, 1 PIECE POLE 2½" DIA	400.00	440.00	N
SPW3	WAKEBOARD HIGH POLE 2 PIECE (with STORAGE BAG) DROPS OVER 2 ½" DIA CENTRE SKI POLE	590.90	650.00	N
SPM 2-K	FLOOR MOUNT BRACKET suit 2" SS DIA REMOVABLE POLE	25.00	27.50	
HPBR	HIGH POLE BOARD RACKS	520.00	572.00	N

## TOWERS & BOARD RACKS

PART NUMBER	DESCRIPTION	QTY	LIST PRICE	PRICE INC GST	DISC
WBC-TO	TOWER, FLUIDCORE	EACH	2000.00	2200.00	N
WBR	WAKE BOARD RACK suit TOWER	EACH	409.09	450.00	N
SKR	SKI RACK suit TOWER	EACH	436.36	480.00	N
KNR	KNEE BOARD RACK suit TOWER	EACH	436.36	480.00	N
KNWBR	KNEE BOARD / WAKE BOARD COMBO RACK suit TOWER	EACH	436.36	480.00	N

## BOOM BAR / BAREFOOT BAR

PART NUMBER	DESCRIPTION	LIST PRICE	PRICE INC GST	DISC
BOOM	BOOM BAR (BARE FOOT TRAINING BAR), ALUMINIUM, 3 PIECE, HEIGHT ADJUSTABLE	1,090.91	1,200.00	S



# KINCAID MARINE ROLCO

Phone: (03) 9308 0922 Mobile: 0428 627 463  
 Email: orders@kmrolco.com Website: www.kmrolco.com

## HULL FITTINGS (e.g. Bow Handles, Bow Eyes etc)

PART NUMBER	DESCRIPTION	QTY	LIST PRICE	PRICE INC GST	DISC
<b>BOW EYES &amp; HOOKS</b>					
BE 1	BOW EYE SS		20.00	22.50	
SH 1	SKI HOOK SS		30.00	33.00	
<b>BOW HANDLES</b>					
BH 1-KS	BOW HANDLE, CHROME 2 x 1/4" STUDS		150.00	165.50	
<b>DRAIN PLUGS/BUNGS</b>					
DP 2	DRAIN PLUG ONLY – PLASTIC (BUNG)		3.50	3.85	
DP 3	DRAIN PLUG ASSEMBLY – STAINLESS STEEL (BUNG)		12.00	13.20	
<b>GUNNEL CAPS</b>					
GC 1	GUNNEL CAP, STRAIGHT OPEN ENDED CHROME		50.00	55.00	
GC 2	GUNNEL CAP, STRAIGHT CLOSED 1 END CHROME		50.00	55.00	
GC 3	GUNNEL CAP, CORNER CHROME		90.00	99.00	
GC 4	GUNNEL CAP, NOSE CHROME		90.00	99.00	
GC 5	GUNNEL CAP, SMALL suit STEPHENS SS		29.00	31.90	
<b>HINGES</b>					
HIN 1	HINGE, STRAP, CHROME suit ENGINE COVER	PAIR	25.00	27.50	S
<b>SPLASH RAILS</b>					
SRP 25-K	SPLASH RAILS POLISHED AL	PAIR	210.00	231.00	
<b>SEAT SLIDERS</b>					
SSA 280	SEAT SLIDE ADJUSTORS 280mm SS	PAIR	150.00	165.00	
<b>SPEEDO PITOTS</b>					
SPB 5	SPEEDO PITOT (THRU HULL) BRASS		28.00	30.80	
SPP1	SPEEDO PITOT PLASTIC		36.00	39.60	S



# KINCAID MARINE ROLCO

Phone: (03) 9308 0922 Mobile: 0428 627 463  
 Email: orders@kmrolco.com Website: www.kmrolco.com

## ARGO CAM DRIVE WATER PUMPS & TIMING COVERS

PART NUMBER	DESCRIPTION	LIST PRICE	PRICE INC GST	DISC
MP-WPJ-Argo	ARGO CAMSHAFT DRIVE WATER PUMP, HIGH FLOW ¾" NTP FITTINGS	580.00	638.00	S
ARGO-WP-HF	ARGO CAMSHAFT DRIVE WATER PUMP, HIGH FLOW 1" NTP FITTINGS	680.00	748.00	S
MP-WPA-Argo	ARGO CAMSHAFT WATER PUMP, ¾" NTP FITTINGS WITH ADAPTOR FOR FUEL PUMP (FUEL PUMP NOT INCLUDED)	800.00	880.00	S
MP-WPA-HF-Argo	ARGO CAMSHAFT WATER PUMP, HIGH FLOW 1" NTP FITTINGS, WITH ADAPTOR FOR FUEL PUMP (FUEL PUMP NOT INCLUDED)	850.00	935.00	S
MP-TC-SBB	CHEV SMALL BLOCK TIMING COVER (BILLET) POLISHED	610.00	671.00	S
MP-TC-SBC	CHEV SMALL BLOCK TIMING COVER (CAST)	250.00	275.00	S
MP-TC-351CL	FORD CLEVELAND TIMING COVER	500.00	550.00	S
MP-TC-BB	CHEV BIG BLOCK TIMING COVER (BILLET) POLISHED	650.00	715.00	S
MP-TC-BB-C4	CHEV BIG BLOCK TIMING COVER (CAST)	290.00	319.00	S
MP-TC-BB-C6	CHEV BIG BLOCK TIMING COVER (CAST – GEN 3)	290.00	319.00	S
MP-BELL	CHEV BELL HOUSING (NOT POLISHED)	290.00	319.00	S

## ARGO WATER PUMPS (SPARE PARTS)

PART NUMBER	DESCRIPTION	LIST PRICE	PRICE INC GST	DISC
4598-0001	WATER PUMP IMPELLER	109.09	120.00	S
MP-WPCD-Argo	CAMSHAFT DRIVE FOR WATER PUMP	60.00	66.00	S
MP-WPCC	CIRCLIP FOR WATERPUMP	1.40	1.54	S
MP-WPD	WATER PUMP DRIVE	31.00	34.10	S
MP-WPK	WATER PUMP KEY	4.00	4.40	S
MP-WPP	WATER PUMP PINS	3.00	3.30	S
MP-WP-SIH	INJECTION WATER PUMP SHAFT (HEX DRIVE)	220.00	242.00	S
MP-WP-SI	INJECTION WATER PUMP SHAFT (TANG DRIVE)	180.00	198.00	S
MP-WP-SCP	WATER PUMP SHAFT – COMPLETE	100.00	110.00	S
MP-WP-X100-Argo	CAMDRIE WATER PUMP EXTENSION 100mm	173.00	190.30	S
MP-WP-Kit-Argo	WATER PUMP REBUILD KIT	190.00	209.00	S



# KINCAID MARINE ROLCO

Phone: (03) 9308 0922 Mobile: 0428 627 463  
 Email: orders@kmrolco.com Website: www.kmrolco.com

## V-DRIVE GEAR BOX WITH COUPLINGS – NO MOUNTS

PART NUMBER	DESCRIPTION	LIST PRICE	PRICE INC GST	DISC
MP-V600	V600 CONTINUOUS DRIVE	1880.00	2068.00	S
MP-V600C	V600C WITH WARM-UP CLUTCH	2320.00	2552.00	S
MP-V600CP	V600CP WITH PROPELLER RELEASE	2370.00	2607.00	S
MP-V600CPR	V600CPR WITH RATCHET PROPELLER RELEASE	2620.00	2882.00	s
MP-V1000	V1000 CONTINUOUS DRIVE, SPLINED, NO KEYS	P.O.A.	P.O.A.	S
MP-V1000C	V1000C WITH WARM UP CLUTCH, SPLINED, NO KEYS	P.O.A.	P.O.A.	S
MP-V1000CP	V1000CP WITH PROPELLER RELEASE, SPLINED, NO KEYS	P.O.A.	P.O.A.	S
MP-V-HDB	HEAVY DUTY BEARING, RECOMMENDED FOR RACE BOATS (ADD TO ABOVE PRICES)	160.00	176.00	S
MP-V-HDB-D	DOUBLE HEAVY DUTY BEARING, RECOMMENDED FOR HIGH POWERED RACE BOATS (ADD TO ABOVE PRICES)	450.00	495.00	S
MP-V-MP	MOUNTING PLATE	110.00	121.00	S
MP-V-ANG	PAIR OF ANGLES suit MOUNTING PLATE	30.00	33.00	S

## GEARBOX ACCESSORIES

PART NUMBER	DESCRIPTION	LIST PRICE	PRICE INC GST	DISC
MP-V1300C	FLANGE COUPLING 1310	120.00	132.00	S
MP-V1400C	FLANGE COUPLING 1410	120.00	132.00	S
MPV-SPC-1½X1½	SPLIT COUPLING 1½" x 1½"	140.00	154.00	S
MPV-SPC-1x1	SPLIT COUPLING 1" x 1"	140.00	154.00	S
MPV-SPC-1X1½	SPLIT COUPLING 1" x 1½"	140.00	154.00	S
MPV-SPC-1¼X1¼	SPLIT COUPLING 1¼" x 1¼"	270.00	297.00	S
MPV-SPC-spec	SPLIT COUPLING – SPECIAL ORDER	330.00	363.00	S
MP-VDG-___	V-DRIVE / Z-DRIVE GEARS 0% - 26% (NOT 21%)	472.00	520.00	S
MP-VDG-___	V-DRIVE / Z-DRIVE GEARS 29% - 70%	520.00	572.00	S
MP-VDG-21	V-DRIVE / Z-DRIVE GEARS 21%	520.00	572.00	S
MP-V-TD	TACHO DRIVE, 'T' PIECE & SPRING	157.00	173.00	S
MP-V-MTD	MECHANICAL TACHO CABLE	140.00	154.00	S
MP-V-STP	SPARE "T" PIECE & SPRING	40.00	44.00	S
MP-V-GC	GEAR CHANGE, LABOUR ONLY (+ PARTS)	400.00	440.00	N
MP-V-CON-WU	CONVERT V600-V600C FIT WARM UP CLUTCH	1320.00	1452.00	S
MP-V-CON-PR-A	CONVERT V600C-V600CP FIT PROPELLER RELEASE	560.00	616.00	S
MP-V-CON-PR-B	CONVERT V600-V600CP FIT PROPELLER RELEASE	1420.00	1562.00	S
MP-V-CON-PR-C	CONVERT V600-V600CPR FIT RATCHET RELEASE	1790.00	1969.00	S
MP-V-CON-PR-D	CONVERT V600CP-V600CPR FOT RATCHET RELEASE	920.00	1012.00	S
ARGO-JG	JACK SHAFT GUARD ASSY (FULLY ENCLOSED) SS	700.00	770.00	S
ARGO-GA	V-DRIVE ADAPTOR suit JACK SHAFT GUARD	60.00	66.00	S
ARGO-BA	BELL HOUSING ADAPTOR suit JACK SHAFT GUARD	95.00	104.50	S

## STEP UP RATIOS

0	5	8	11	14	17	20	21	23	26	29	33	38	42	48	52	58	62	70
---	---	---	----	----	----	----	----	----	----	----	----	----	----	----	----	----	----	----

**NOTE: WHEN ORDERING V-DRIVES YOU MUST SPECIFY STEP-UP RATIO AND COUPLING SIZES e.g. 1310 or 1410 (TOP COUPLING) AND DIAMETER OF PROP SHAFT COUPLING (BOTTOM COUPLING)**





# KINCAID MARINE ROLCO

Phone: (03) 9308 0922 Mobile: 0428 627 463  
 Email: orders@kmrolco.com Website: www.kmrolco.com

## ARGO V-DRIVE PARTS LIST

PART NUMBER	DESCRIPTION	LIST PRICE	PRICE INC GST	DISC
MP-BR-6307C3	DEEP GROOVE BEARING FOR MAIN HOUSING	24.00	26.40	S
MP-BR-6207C3	DEEP GROOVE BEARING FOR CLUTCH HOUSING	24.00	26.40	S
MP-V-HDB	HI-LOAD CLUTCH THRUST BEARING 29% & OVER	160.00	176.00	S
MP-V-HDB-D	DOUBLE HEAVY DUTY BEARING, INSTALLED	450.00	495.00	S
MP-Seal-TC12057	INPUT SHAFT SEAL(& V600 OUTPUT SHAFT SEAL )	15.00	16.50	S
MP-Seal-6180	OUTPUT SHAFT SEAL FOR V600C, V600CP, V600CPR	30.00	33.00	S
MP-V-fork	BRONZE FORK & LEVER	88.00	96.80	S
MP-V-FLS	FORK LEVER SEAL	10.00	11.00	S
MP-V-FA	COMPLETE FORK LEVER ASSEMBLY	180.00	198.00	S
MP-VDG-___	GEARS 0% - 26% (NOT 21%)	472.00	520.00	S
MP-VDG-___	GEARS 29% - 70%	520.00	572.00	S
MP-VDG-21	V-DRIVE / Z-DRIVE GEARS 21%	520.00	572.00	S
MP-V-INP-GM	LARGE INPUT SPLINE GM	280.00	308.00	S
MP-V-INP-HH	INPUT SHAFT 32 DIA 21 SPLINE	280.00	308.00	S
MP-V-INP	INPUT SHAFT V600, V600C, V600CP	130.00	143.00	S
MP-V600-OS	V600 OUTPUT SHAFT	140.00	154.00	S
MP-V-FDS	FIXED DOG SHAFT V600C, V600CP	120.00	132.00	S
MP-V-OSS	OUTPUT SPLINE SHAFT V600C, V600CP	170.00	187.00	S
MP-V-DOSS	OUTPUT DOUBLE BEARING SPLINE SHAFT	190.00	209.00	S
MP-V600C-FD	V600C FIXED DOG	190.00	209.00	S
MP-V600C-SD	V600C SLIDING DOG	165.00	181.50	S
MP-V600CP-FD	V600CP FIXED DOG	190.00	209.00	S
MP-V600CP-SD	V600CP SLIDING DOG	165.00	181.50	S
MP-V600CPR-FD	V600CPR RATCHET FIXED DOG	310.00	341.00	S
MP-V600CPR-SD	V600CPR RATCHET SLIDING DOG	280.00	308.00	S
MP-V4307-JS	V600CP SPRING FOR SLIDING DOG	40.00	44.00	S
MP-V-NR	NEEDLE ROLLER (for FIXED DOG)	25.00	27.50	S
MP-V-SPRSEAT	V600CPR SPRING SEAT	60.00	66.00	S
MP-HB-P1 121612	HARDENED BUSH (for SPLINE SHAFT)	30.00	33.00	S
MP-V101763-AL	BREATHER CUP	40.00	44.00	S
MP-V-INPSP	INPUT SEAL PLATE	95.00	104.50	S
MP-V-CSP	CLUTCH SEAL PLATE	65.00	71.50	S
MP-V-CH	CLUTCH HOUSING	220.00	242.00	S
MP-V-MH	MAIN HOUSING SET	610.00	671.00	S
MP-V-MP	MOUNTING PLATE	110.00	121.00	S
MP-V-ANG	PAIR OF ANGLES	30.00	33.00	S
MP-V-BOLT4	BOLTS ½" x 4" (EACH)	20.00	22.00	S
MP-V-BOLT1 ¾	BOLTS ½" x ¾" (EACH)	5.00	5.50	S
MP-DP3	SUMP PLUG	10.00	11.00	S
MP-Plug-Brass	BRASS PLUG ¼ BSP	5.00	5.50	S
MP-Plug-Nylon	NYLON PLUG ¼ BSP	3.00	3.30	S
MP-Barb-½-¼	BARB ½ HOSE TO ¼ BSP	5.00	5.50	S
MP-CIRCLIP	CIRCLIP	2.00	2.20	S

## STEP UP RATIOS

0	5	8	11	14	17	20	21	23	26	29	33	38	42	48	52	58	62	70
---	---	---	----	----	----	----	----	----	----	----	----	----	----	----	----	----	----	----